



Noticeably boost your productivity and cost-efficiency. **Easymatrix 106 FC.**



Open up new markets through outstanding production stability.

Easymatrix 106 FC.

The printing itself may be as good as it can be, if the postpress is not right your customers will be unhappy with the final result. And that is the only criterion by which you will be measured.

Heidelberger Druckmaschinen AG has therefore added the Easymatrix 106 FC to its family of hot-foil embossing machines. The basic model is based on the proven Easymatrix 106 CS technology, combined with the hot-foil unit of the Promatrix 106 FC. Consequently, the Easymatrix 106 FC can be used as a conventional die-cutter with die-cutting function, or as a finishing machine for hot-foil jobs.

Thus, you can offer customers the comprehensive service they expect. Die-cutting and hot-foil embossing are today regarded as an integral part of quality commercial and packaging printing, especially when it comes to embellishing packaging and labels, e. g. for cosmetic products or premium confectionery. As an alternative to outsourcing jobs of this kind, the Easymatrix 106 FC die-cutter offers you an economical entry-level solution for commercial and packaging printing. For you, this means no more need for constant coordination with enormous time losses and the possibility of quality issues, but an efficient workflow, optimum productivity, and quality you can be proud of. That is the kind of final product by which you should be measured.

The hot-foil embossing module of the Easymatrix 106 FC offers the opportunity to apply metallic effects and structure or relief embossing in a single work pass. The economical technology and low material consumption of the hot-foil embossing machine are particularly impressive. Different feed rates also ensure optimum foil utilization. As a result, the Easymatrix 106 FC boasts an excellent return on investment, especially with high print runs. Nevertheless, the Easymatrix 106 FC also provides highly

economical embossing and metallic surface embellishment for short and shortest run lengths.

You are completely flexible with the Easymatrix 106 FC, because it processes an incredibly large range of substrates, from paper with a grammage starting at 90 g/m², to cardboard or solid cardboard of up to 2,000 g/m², and corrugated cardboard with a maximum thickness of four millimeters. The Easymatrix 106 FC combines outstanding quality with efficient workflows – at processing speeds of up to 7,500 sheets per hour. Sheet formats ranging from 360 × 400 mm (14.17 × 15.75 in) to a maximum of 750 × 1,060 mm (29.53 × 41.73 in) can be processed.

The Easymatrix 106 FC offers not only easy touchscreen control and a separate computer system for comfortable set up of hot-foil data, but also high flexibility due to the optional chase changing table, ensuring comfortable and ergonomic operation and shorter changeover times.

We are committed to ensuring the success of your entire production process – from prepress to postpress – and offer you fully integrated complete solutions for commercial and packaging production that are fully compatible with the relevant 70 × 100 cm (27.56 × 39.37 in) format.

The Easymatrix 106 FC is manufactured by Masterwork, exclusively distributed by Heidelberg and backed up by the professional and renowned, worldwide Heidelberg sales and service network.

[➔ heidelberg.com/hot-foiling](https://heidelberg.com/hot-foiling)

Outstanding characteristics. The facts at a glance.



Highlights:

- High machine speed: 7,500 sheets per hour
- High die-cutting pressure: up to 260 metric tons
- 20 individually adjustable heating zones
- High flexibility by a foil path longitudinal and optionally transversal to the direction of sheet travel
- Easy setup and saving of foil-relevant data on separate computer system
- Easy foil changing from the operator side, thanks to telescopic foil feeding bars
- Unit for hologram applications (option)
- Chase changer for job preparation outside the machine (option)
- Foil rewinder as an alternative to the standard brush system for foil disposal (option)
- Non-stop function in feeder and delivery
- The basic model is already equipped with all functions and options to start hot-foil embossing or die-cutting
- Three longitudinal foil feeding shafts (optional up to six) and up to two foil feeding shafts transversal to the direction of sheet travel (option)
- Short makeready times due to a smart operating concept and additional options such as the chase changer
- Easy machine and hot-foil unit handling
- Storage of foil-relevant job data
- Good price-performance ratio

➔ heidelberg.com/hot-foiling



长荣股份
MASTERWORK

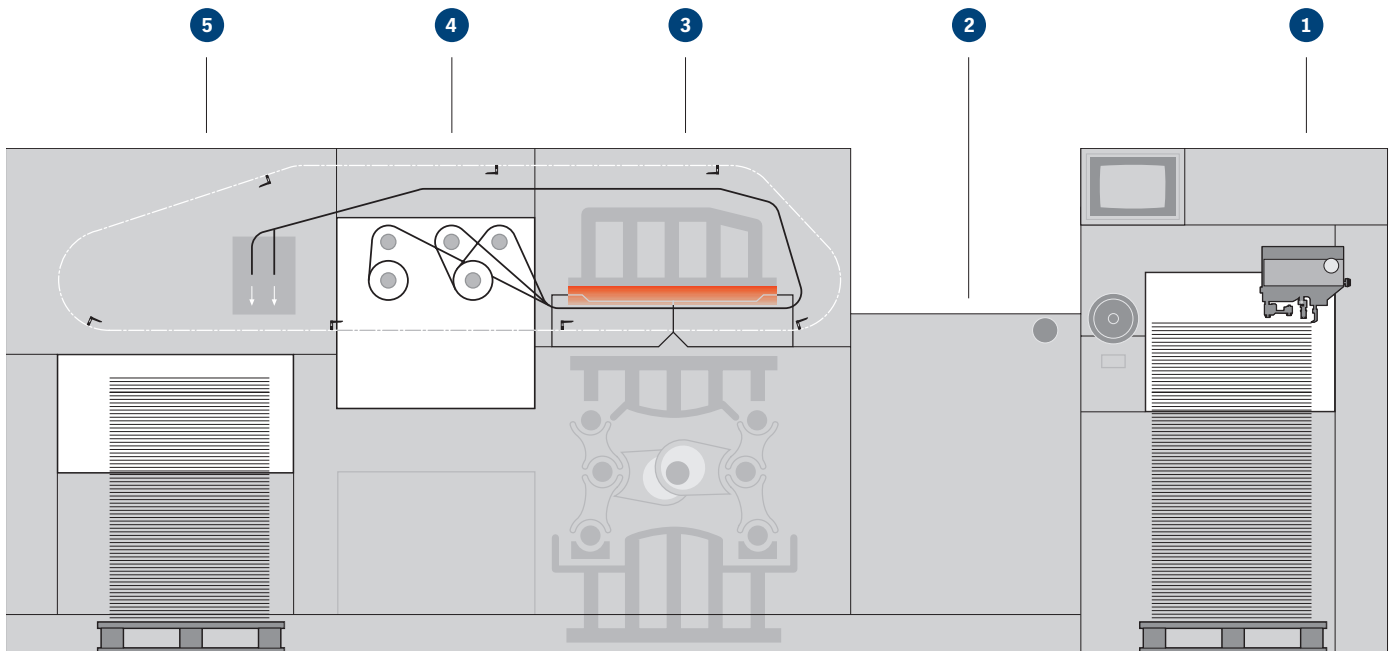


For value retention and maximum performance:

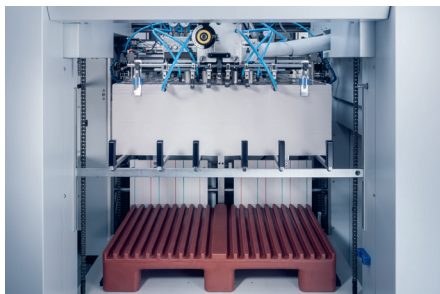
Service agreements

- Service agreements offer security and peace of mind, while at the same time providing you with the benefits of full cost control and simple administration
 - Servicing by highly trained technicians
 - Exclusive use of original service parts
 - Protection of your machine investment
 - Retention of a high resale value
-

→ [heidelberg.com/service-agreements](https://www.heidelberg.com/service-agreements)

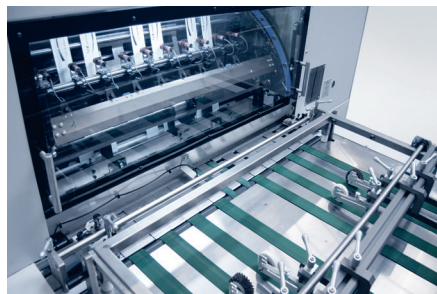


The machine shown is a sample configuration. Some of the equipment features mentioned are optional.



1 Non-stop feeder

- Suction head for paper, cardboard and corrugated cardboard
- Suction head with quick-positioning function
- Pile platform with motorized pile side alignment
- Mechanical double-sheet control



2 Feeder table

- Register system
- Side lay with pull/push function on operator and drive side
- Central adjustment of brushes and rollers
- Four front lays with active optical monitoring
- Ultrasonic double-sheet detector

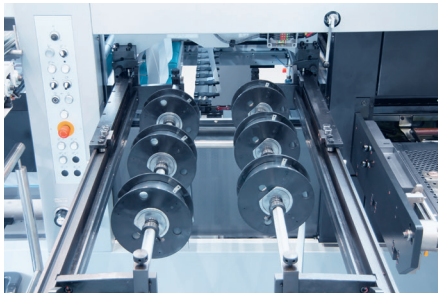


3 Die-cutting station

- Register system
- Motorized die-cutting pressure adjustment
- Cutting plate fine adjustment
- Air cushion for easy cutting plate handling
- Chase changer (option)

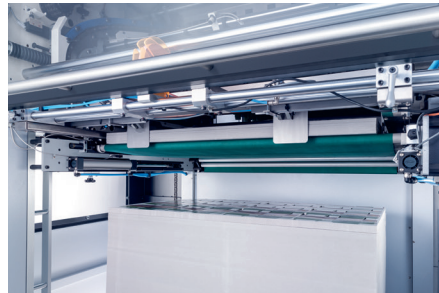
Technical data

Processable materials	Easymatrix 106 FC
Paper (min.)	90 g/m ²
Solid cardboard (max.)	2,000 g/m ²
Corrugated cardboard (max.)	4.0 mm (0.16 in)
Performance data	
Sheet format (max.)	750 × 1,060 mm (29.53 × 41.73 in)
Sheet format (min.)	360 × 400 mm (14.17 × 15.75 in)
Die-cutting pressure (max.)	2.6 MN/260 t
Machine speed (max.)	7,500 sheets per hour
Hot-foil embossing	
Hot-foil embossing speed (max.)	6,500 sheets per hour
Hologram (option) speed (max.)	5,500 sheets per hour
Temperature	max. 180 °C
Number of heating zones	20
Foil reel diameter: longitudinal transversal	max. 250 mm (9.84 in) max. 200 mm (7.87 in)
Foil width	20 – 1,020 mm (0.79 – 40.16 in)
Pile heights (incl. pallet)	
Feeder pile height (max.): without non-stop in non-stop operation	1,150 mm (45.27 in) 900 mm (35.43 in)
Delivery pile height (max.)	1,000 mm (39.37 in)



4 Hot-foil unit

- Three longitudinal foil feeding shafts
- Hologram device (option)
- 20 heating zones (cutting station)
- Telescopic longitudinal foil feeding bars
- Motorized brush system for foil disposal
- Rewinder (option)



5 Delivery

- Non-stop rolling carpet
- Pneumatic flap for test sheet removal
- Brake brush with mechanical brake force adjustment



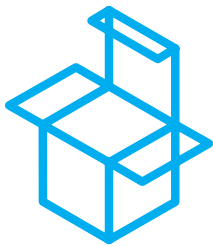
6 Hot-foil computer system

- Calculation of foil feeding steps
- Adjustment of temperature and die-cutting pressure
- Hologram application control
- Job data storage
- Simulation of foil feeds

Features and Benefits.

Easymatrix 106 FC.

Availability



Embellishment of **packagings** and **labels**

for cosmetics, foodstuff, cigarettes, and premium confectionery.

Transversal and longitudinal foiling paths.

Hot-foil embossing – hologram applications – die-cutting.

Productivity

High machine availability thanks to **non-stop feeder and delivery.**



Speed

6,500

sheets per hour in hot-foil mode.

20 heating zones.

Die-cutting pressure: **260 metric tons.**

User-friendliness

Chase changer for **easy exchange** of the heavy honeycomb plates.

Easy operation and setup of the hot-foils thanks to the intelligent computer-based foil control system.



Safe Operation. Confirmed by GS certification.

Sales and Service Partner:
Heidelberger Druckmaschinen AG
Kurfuersten-Anlage 52 – 60
69115 Heidelberg
Germany
Phone +49 6221 92-00
Fax +49 6221 92-6999
heidelberg.com



Publishing Information

Printed in: 12/20
Photographs: Heidelberger Druckmaschinen AG
Platemaking: Suprasetter
Printing: Speedmaster
Finishing: Stahlfolder
Consumables: Saphira
Fonts: Heidelberg Antiqua ML, Heidelberg Gothic ML
Printed in Germany

Trademarks

Heidelberg, the Heidelberg logotype and are registered trademarks of Heidelberger Druckmaschinen AG in the U.S. and other countries. All other trademarks are property of their respective owners.

For details on the emissions of the Easymatric 106 FC, please visit us at heidelberg.com/emissiondetails

Subject to technical modifications and other changes.

Liability for contents

The contents of this brochure have been prepared with great care. No warranty or liability is accepted for the correctness, completeness, or accuracy of the information. There is no guarantee that the customer will be able to achieve the values and numbers (e.g. relating to the function and performance of the machine and the software) specified in the brochure. The information provided is based on ideal conditions and proper use of the machine and the software. Achieving these values and numbers depends on a variety of factors and circumstances that are outside the control of Heidelberg (e.g. machine settings, technical conditions, ambient conditions, raw materials and supplies used, consumables used, standard of care and maintenance of the machine, expertise of the operator, meeting the respective system requirements, etc.). They therefore constitute neither characteristics of the machine or the software nor a guarantee. This brochure does not constitute a contractual offer and is solely for the purpose of providing (non-binding) information.



business partner of
HEIDELBERG

