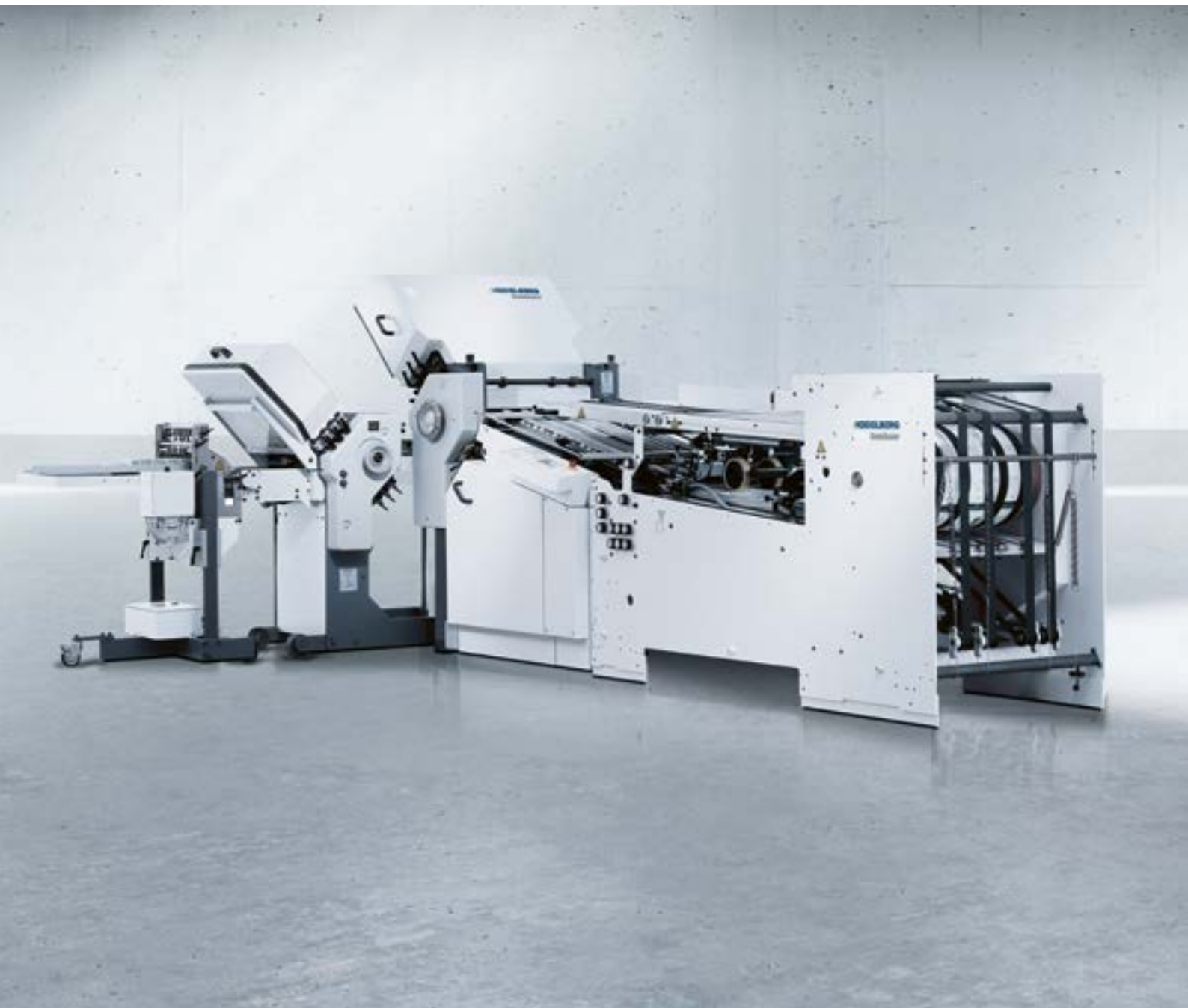


Versatile and flexible.
Stahlfolder Ti.





Reach new heights. Machine and more.

With the Stahlfolder® Ti 36 and Ti 52, you create the basis for growth in small and medium formats.

The wide range of applications and extensive device options open up a wide range of possibilities for you to increase the added value when folding. In addition, you are ideally positioned in the market for small folds, for example, in the pharmaceutical sector.

Benefit from digitization with HEIDELBERG®: In production, it simplifies the control and operation of the machines. On a commercial level, it offers insights into productivity at all times.

Via HEIDELBERG, you also get access to an ecosystem that offers real added value – with service, consumables, digital services, software, cloud-based solutions, training and advice, inventory management, and logistics. As the first folding machine manufacturer, HEIDELBERG offers you even more: The CO₂ footprint of all Stahlfolder products is offset at no cost to you through Gold Standard certified projects.

 [heidelberg.com](https://www.heidelberg.com)

Low investment. Increases added value.

The investment in a Stahlfolder Ti 36 or Ti 52 pays for itself quickly and forms a solid basis for long-term success.

With the help of a Stahlfolder Ti 36, your company will become a specialist in small formats and miniature fold applications. You can even produce fold lengths of just 20 millimeters, as required for mini booklets or package inserts in the pharmaceutical sector, in a highly productive and cost-effective manner.

In the medium format 50 × 70, you can meet the requirements of your customers professionally and reliably with the Stahlfolder Ti 52, e. g., by the combination of buckle plate folding stations, cross fold units, and additional devices such as gatefold buckle plates and gluing devices.

You can tap into the further potential for added value by combining both machines in an individual configuration. Then you are even more flexible and can also offer miniature folds in medium format.

Benefits at a glance:

- High productivity and added value
- Easy to use thanks to graphic symbols
- Maximum availability thanks to the low-maintenance design
- Variety of applications, from leaflets to flyers to signatures
- Minimum fold lengths of only 20 mm or 32 mm

 heidelberg.com/en/ti





PROFESSIONAL

In ongoing operation. Reliable and agile.

Stable value and proven technology of the Stahlfolder Ti 36 and Ti 52 folding machines pay off during ongoing operation. You benefit from high reliability, low maintenance, and great flexibility in applications.

Benefit from the advantages of the Stahlfolder Ti series:

Flexible and efficient production

Extensive equipment

The wide range of applications, from the smallest folds to flyers, is supported by extensive equipment. With the range of trimming, perforating, and creasing tools, you can open up applications such as edge trimming, strip cutouts, and creasing to prevent ink bursting. Creasing and folding in one pass speed up throughput times.

Meet customer requirements

Versatile application possibilities

Other benefits for smooth production: Various buckle plates, such as buckle plates with swing deflectors, combination buckle plates, or gatefold buckle plates, offer maximum flexibility. About flexibility: You can use all HEIDELBERG deliveries tailored to the respective requirements. And you have the right feeder systems for every need: Flat pile feeders for small to medium run lengths and round continuous for non-stop operation and larger run lengths.

Controlled process flow

Flexibly vary

The Stahlfolder Ti 36 and Ti 52 also help you to complete particularly demanding jobs, for example, in the pharmaceutical sector, to the satisfaction of the customer. With optional printed image recognition from above and below, you have 100 percent control and can continuously monitor production. With glue applications, such as middle, multiple, and auxiliary gluing, you also increase the added value.



BEAUTY LINE
PFLANZEN KOSMETIK

www.beautylinc.com

PRODUCTION

Down to the smallest folds. Ready for anything.

The Stahlfolder Ti 36 and Ti 52 folding machines are extremely versatile. Due to the wide range of applications of the machines, your company will meet all requirements in small and medium formats. This also applies to special applications such as small folds, which play a major role in the pharmaceutical industry, for example, in the form of package inserts.

Features for stable and profitable production:

One hundred percent quality control

Transparent processes

Optional printed image recognition from above and below ensures one hundred percent production monitoring for particularly demanding orders and customers.

Higher productivity

Fast makeready

The good accessibility, the automatic setting of sheet spacing, suction length, and speed, as well as the easy changeover from buckle plates to the sheet deflector function, accelerate job changes.

HEIDELBERG User Experience

Easy operation

The digital control system and graphic symbols, as well as loading and unloading at an ergonomic working height, make operation easier.

Competitiveness

More added value

With different folds and gluing applications such as gatefold, parallel, and cross folds or center, multiple, and auxiliary gluing, you can expand your range of products.

Cost-effective

Increased productivity

Reliable sheet separation, safe sheet transport, short throughput times and perfectly coordinated feeder systems ensure increased net output.

State-of-the-art technology

High availability

The solid and low-maintenance construction ensures reliable folding quality and stable production with low operating and service costs.

STAHLFOLDER



The **cross fold unit KBi** is a space-saving folding machine, available in working widths of 36 and 52 cm.



The small format **transport device** is used for safe sheet transport of small products.



The **combination buckle plates** switch from sheet deflector to buckle plate function without removing the buckle plates.

R TI



The optional **gluing devices** increases the added value through gluing applications.



The **Wet scoring** prevents thick folded products from opening.



The **flat pile feeder** with sheet separator ensures safe sheet separation.

7

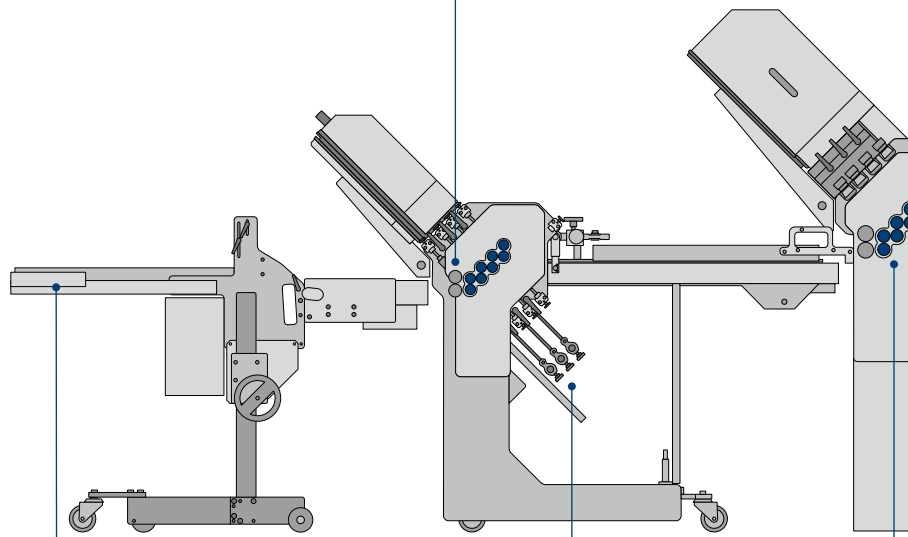
Slitter shafts

Rear-mounted slitter shafts with plug-in connection in all stations for accommodating various creasing, perforating, and trimming tools.

4

Folding units

Folding stations in working widths of 36 cm and 52 cm and up to six buckle plates allow for individual configurations. The additional knife fold units KBi 36, KBi 52, and VFZ 52 enable further fold types.



8

Deliveries

Suitable delivery systems for individual customer requirements: The entire HEIDELBERG delivery portfolio can be combined with Stahlfolder Ti folding machines.

6

Buckle plates

Various buckle plates such as buckle plates with swing deflector, combination or gatefold buckle plates offer maximum flexibility.

2

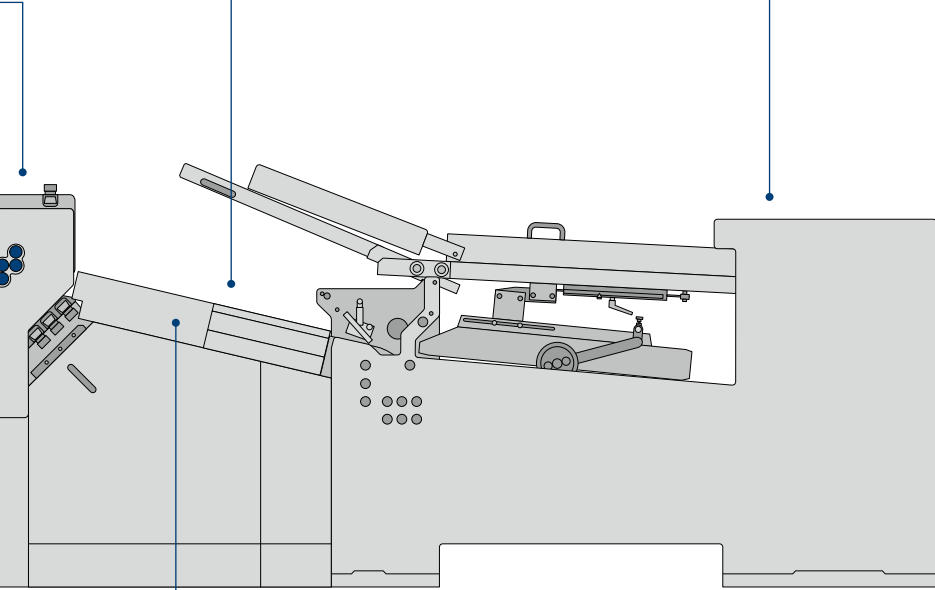
Digital control system CCT

Comprehensive control system with graphic symbols and features such as learning mode and counter function.

1

Feeder

Suitable feeder systems for every need: Flat piling feeders for small to medium pressruns and round piling feeders for non-stop operation and larger pressruns.



5

Folding rollers

ExtraGrip folding rollers with Soft-PU ensure continuous process reliability, protect the sheet transport, and convince with fold quality. Hard-PU folding rollers are specially designed for processing lightweight paper.

3

Accessories

Monitored production through printed image recognition from above and below; various glue applications, such as middle, multiple, and auxiliary gluing also increase the added value.



Further information and technical specifications for your Stahlfolder folding machine can be found here:

➔ heidelberg.com/ti/technical-data

With miniature folds. **Tap into new market opportunities.**

From package inserts and flyers to signatures – with the Stahlfolder Ti folding machines, bookbinderies and print shops can expand their range of products and increase their output with low investment costs.

The Stahlfolder Ti folding machines can handle the smallest fold lengths with multiple parallel and cross folds, which makes them the perfect machines for special folded products. User companies can distinguish themselves with package inserts for cosmetic or pharmaceutical products, user manuals, or other advertising material in small formats.

Highly flexible and economic to purchase and operate, the Stahlfolder Ti is a suitable entry-level machine for professional folding. Whether simple or complex types of folds – companies benefit from stable and economical production.

 heidelberg.com/en/ti



“

With this folding machine, we are not only able to fold small formats. We also fold twice as much as on two other machines.

DAN GRIFFIN
Managing Director
Binderyonics
USA



Find out what our customer say:
→ heidelberg.com/en/ti

Everything you need in one place. The HEIDELBERG ecosystem.

Remote Services

Enjoy the benefits of fast and remote problem solving, maintenance and analysis of machine performance.



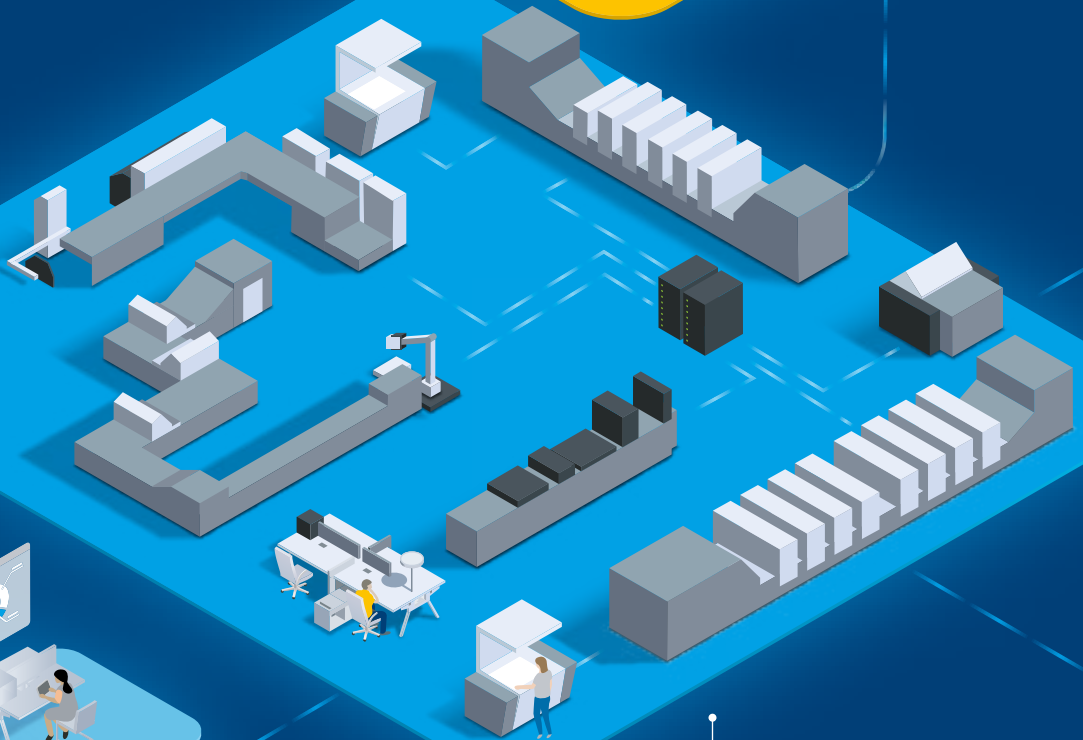
On-site services

From technical service to parts delivery: To ensure stability in your production, we provide 24/7 support worldwide.



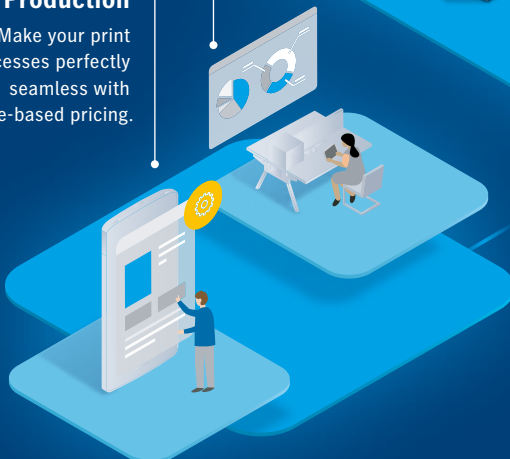
Prinect Business

Automate your commercial processes and see where you make or lose money.



Prinect Production

Make your print processes perfectly seamless with volume-based pricing.



End-to-end production workflow

Increase productivity with speed, quality, digital integration, and reliability.

Every print shop is different, and every customer has unique, comprehensive needs. That is why we have developed our offerings to serve these needs all across the spectrum. What makes us

unique is that you can find everything here that makes your print shop smarter, faster, and better. Make HEIDELBERG your one-stop shop for everything that contributes to your success.



The digital customer portal

Reach cloud-based production, shopping, support, reporting, and administration services from anywhere, at anytime.



Sustainable production

Go green and reduce waste and energy consumption with our sustainable solutions.



Saphira® Consumables

Use proven and tested consumables optimized for your HEIDELBERG equipment, including an eco-friendly product line.



The right investment

HEIDELBERG machines have a high resale value. If you invest in it today, it will pay off in the future.



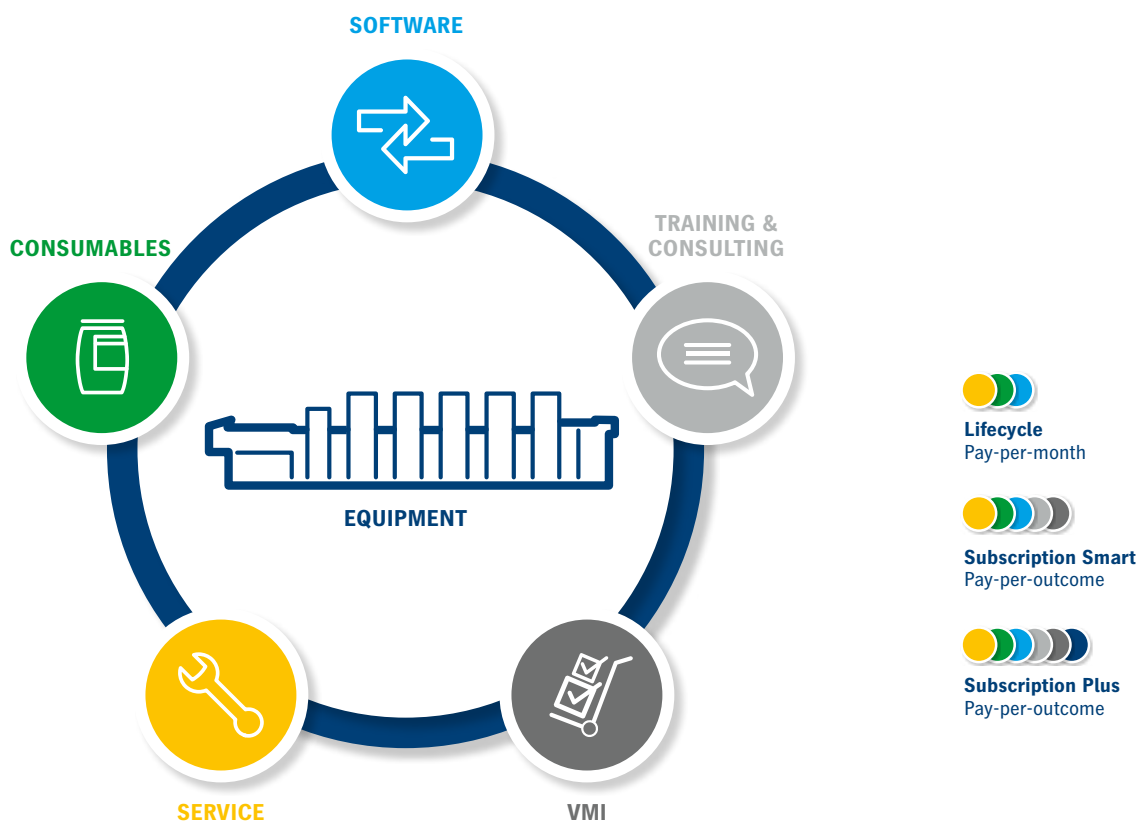
Print Media Center Network

Experience our equipment running at three locations: Wiesloch-Walldorf (GER), Atlanta (USA), Shanghai (CHN)

HEIDELBERG Contracts.

Contract packages as individual as your requirements.

You benefit from a combination of best-in-class products from HEIDELBERG. Our Lifecycle and Subscription packages help you keep your machines running at their best.



Our contracts are scalable to your needs: We put together a lifecycle contract package for you from at least two of the three components – service, consumables and software. This offers you everything you need for reliable and stable printing production. The services are billed on a monthly basis. Subscription also includes training and consulting, Vendor Managed Inventory (VMI), and optional equipment. VMI automates the management of consumables. Thanks to the strong partnership with HEIDELBERG, you can enjoy the benefits of a comprehensive and optimized print production

system. With Subscription, payment is made per printed sheet.

The following applies to both packages: You reduce your process costs and gain more time for your customers.

Have we piqued your interest? Let us work together to create your customized solution package that best fits your needs.

➔ heidelberg.com/contracts



How can we help you? Get in touch with us.

We hope that this brochure will inspire you. There is more we can tell you about how we could make your printing business more efficient and profitable.

If you are interested in the Stahlfolder Ti or would like to learn more about what we can offer, feel free to **contact us**. We're only ever an e-mail or phone call away.

Reach us by email

→ contact@heidelberg.com

Use the contact form

→ heidelberg.com/info

Please find the phone numbers of your local sales organization here:

→ heidelberg.com/contact



Publishing information

Heidelberger Druckmaschinen AG
Kurfuersten-Anlage 52 – 60
69115 Heidelberg
Germany
Phone +49 6221 92-00
Fax +49 6221 92-6999
contact@heidelberg.com
Further details at:
heidelberg.com

Production note

Image credits: Heidelberger Druckmaschinen AG;
Shutterstock, Jacob Lund (19)
Platemaking: Suprasetter
Druck: Speedmaster
Printing: Stahlfolder
Consumables: Saphira

Printed in Germany**Trademarks**

HEIDELBERG, das HEIDELBERG Logo, Prinect, Saphira, Speedmaster, Stahlfolder and Suprasetter are registered trademarks of Heidelberger Druckmaschinen AG in the U.S. and other countries. All other trademarks are property of their respective owners.

For details on the emissions of the Stahlfolder Ti finden Sie unter heidelberg.com/emissionsangaben

Liability for contents

The contents of this brochure have been prepared with great care. No warranty or liability is accepted for the correctness, completeness, or accuracy of the information. There is no guarantee or warranty that the customer will be able to achieve the values and numbers (e. g. relating to the function and performance of the machine and the software) specified in the brochure. The information provided is based on ideal conditions and proper use of the machine and the software. Achieving these values and numbers depends on a variety of factors and circumstances that are outside the control of HEIDELBERG (e. g. machine settings, technical conditions, ambient conditions, raw materials and supplies used, consumables used, standard of care and maintenance of the machine, expertise of the operator, meeting the respective system requirements, etc.).

Version Mar 2024