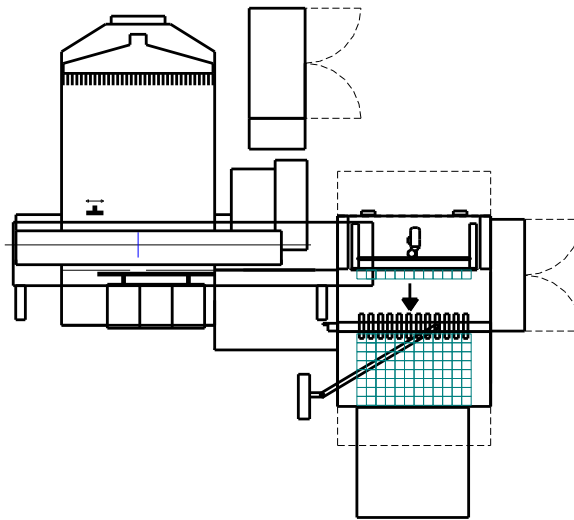


for high automatic in-line production of square-cut labels with integrated banding.

Customer benefits

- Excellent performance of up to 1.296 bundles per 60 minutes with a minimum manpower
- Greatest cutting accuracy due to the POLAR-Positioning-System DPS with a mechanical positioning accuracy of 1/100 mm
- Very flexible thanks to easy and fast conversion
- Highly reliable in daily use and long lifespan



Highlights

Automatic cutting machine Autotrim M

- Downholder in front of the knife
- A lateral aligning gauge at the frame and backgauge further improves the cutting quality, because strips can be precisely aligned
- Mobile aligning station (patented) on the front table for aligning the cut labels
- Optimized lateral deloading finger for a smooth workflow and faster cycles

Multi-station bander BM-105

- Electronic temperature control monitors and optimizes the welding process
- Full-surface row pusher with frequency-controlled drive for a smooth and troublefree workflow, and automatic speed control depending on the format
- A movable table board (patented) closes the lower gap and ensures that the label row is perfectly pushed in. Its integrated sensor scans the format and automatically controls the pressure feet of the banding unit.
- Easy adjustment of cassette holders, because the upper and lower ones can be adjusted simultaneously (patented).

Technical data

Label size min. ¹	20 × 43 mm 0.79 × 1.69 in
Label size max.	230 × 1,050 mm 9.06 × 41.34 in
Cutting width in automatic mode max.	1,050 mm 41.34 in
Stack height min.	20 mm 0.79 in
Stack height max.	120 mm 4.72 in
Clamp pressure, min.	150 daN
Clamp pressure, max.	5,500 daN
Banding station max.	18
Performance max. ²	4 cycles / minute

Benchmarking (bundles / 60 minutes)

	SC-20 ³	SC-21 ⁴	SC-25 ⁴
Number of helpers operators	1 1	1 1	1 1
24 labels / sheet (4×6 waste cuts)	314	890	—
96 labels / sheet (8×12 waste cuts)	712	2,044	1,053
192 labels / sheet (12×16 no waste cuts)	1,296	3,185	1,560

¹ depending on stack height | ² depending on material, label size | ³ including pre-cutting | ⁴ excluding pre-cutting