


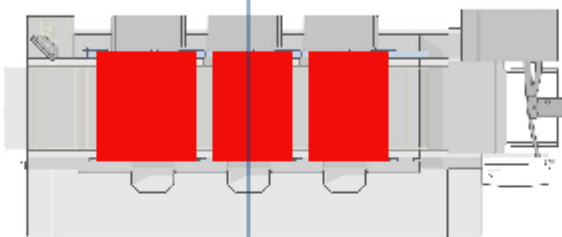
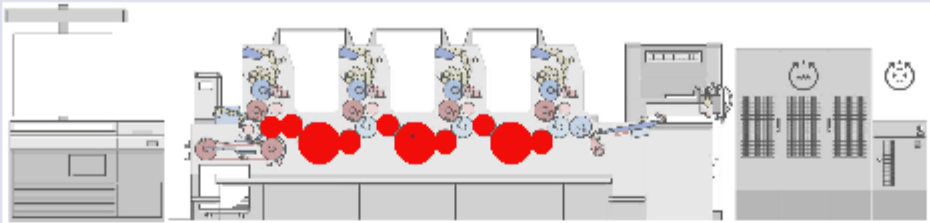
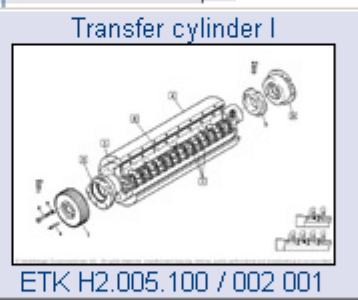
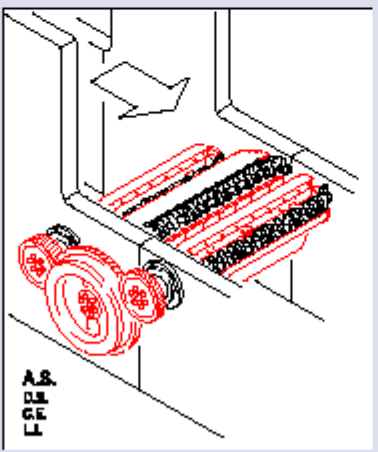


-  printing unit - guard - intermediate guard 5
-  printing unit - transfer cylinder 11
-  printing unit - transfer cylinder - bearing 3

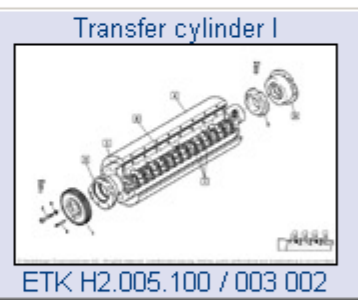


printing unit - transfer cylinder



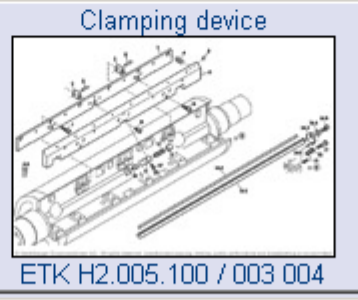
Transfer cylinder I

ETK H2.005.100 / 002 001



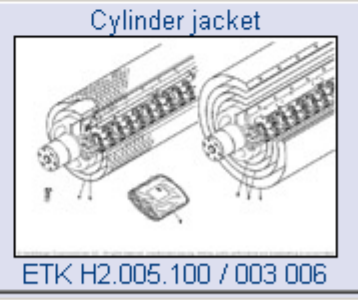
Transfer cylinder I

ETK H2.005.100 / 003 002



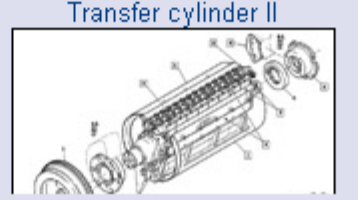
Clamping device

ETK H2.005.100 / 003 004

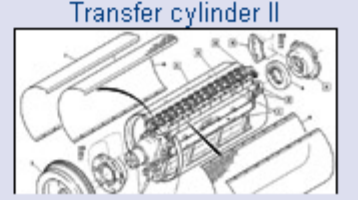


Cylinder jacket

ETK H2.005.100 / 003 006



Transfer cylinder II



Transfer cylinder II