



The multi-talent.  
**Speedmaster CX 75.**



# A partnership that pays off. **Heidelberger Druckmaschinen.**

---

The key to your success lies in the coordinated interaction of people, processes, materials, and machines. We are a reliable and competent partner for all your printing needs. Our user-friendly systems, customized products, and innovative services deliver maximum production quality, make controlling complex processes easier, and help you to avoid errors – all along your production chain. The result: Efficiency at the touch of a button. We call it Simply Smart. The advantage for you: simpler and more productive processes thanks to an intelligent, comprehensive, and integrated portfolio optimally tailored to your needs.

➔ [heidelberg.com/company](https://www.heidelberg.com/company)



# Our areas

---

## E

### Equipment

---

Rely on future-proof printing and further processing by combining digital and offset printing. Our portfolio for printing machines ranges from cutting-edge digital technologies and offset printing machines attractively equipped as standard to individually configured special machines for maximum productivity and every possible print application. From prepress to postpress – we enable the entire printing process for commercial and packaging printing. Our machines are networked through the Prinect workflow and can thus exchange production data: for the sake of optimum processes and transparency. Make uncompromising quality your standard.

→ [heidelberg.com/en/equipment](https://heidelberg.com/en/equipment)

## S

### Service

---

Our comprehensive range of services gives you more time for the essentials. With our Technical Services we offer you fast, efficient, and reliable access to our expertise and all the original parts – our service technicians are always close-by. With our Performance Services we work with you to optimize your productivity in all areas of production. Our industry-specific solutions also make us a competent partner in financial matters.

→ [heidelberg.com/en/service](https://heidelberg.com/en/service)

## C

### Consumables

---

You can rely on our know-how and coordinated materials for impressive results. We offer you various complete packages of consumables, allowing you to concentrate fully and entirely on your core competencies. With our online shop, we offer easy access unparalleled in the industry to all the products you need.

→ [heidelberg.com/en/consumables](https://heidelberg.com/en/consumables)

# Contents

---

04  
Speedmaster CX 75

06  
Prinect Press Center 2

08  
14 clear benefits

09  
The facts at a glance

14  
UV finishing

16  
Flexibility for all requirements

18  
Your dialog with Heidelberg



CO<sub>2</sub>

HEIDELBERG  
Speedmaster

CO<sub>2</sub>  
control

HEIDELBERG  
Speedmaster

# The all-in-one solution. **Speedmaster CX 75.**

---

The Speedmaster® CX 75 is a real multi-talent. It is based on the innovative technology from the Peak Performance class. The inclusion of the cylinder concept from the Speedmaster XL 75 with double-diameter impression cylinders opens up a wide range of applications and a large variety of substrates. The various configuration options offered by the press provide a high level of flexibility.

The Speedmaster CX 75 is the flexible straight-printing press in 50 × 70 (19.69 × 27.56 in) format. There are no challenges in commercial, label, and packaging printing that it cannot handle, and no customer requirements that it cannot meet. The perfect interaction of all components enables the Speedmaster CX 75 to easily process materials from light-weight paper through to rigid cardboard, while satisfying the high demands for print quality.

The compact Speedmaster CX 75 can be perfectly integrated into almost every pressroom thanks to its small footprint. The ergonomic operating concept permits quick and easy operation of the press. Its energy efficiency and resource-efficient use of materials have a positive impact in terms of both the environment and your costs. It lets you produce exactly what your customers want, cost-effectively and sustainably.



# The machine control station.

## Prinect Press Center 2.

Ease of operation paired with intelligent automation, unique assistance systems, and excellent data management create the perfect conditions for sustainable efficient production.

### Productivity made easy

User-friendly operation is about more than a pleasant working experience. It is also an important prerequisite for efficient production – print job by print job. The Prinect Press Center 2 offers you this user-friendly operation thanks to outstanding ergonomics: with optimal illumination of the sheet deposit area using standardized light and an intuitive 19-inch touchscreen.

The new Prinect Press Center 2 makes even more intelligent use of the available potential to minimize the time spent on each print job. The modern user interface allows you to use all the functions intuitively. Settings are saved for repeat jobs, which sustainably shortens your setup times. You operate unique software applications and integrated assistance systems via the touchscreen. The Prinect Press Center 2 thus meets even high productivity demands.

### Fast job changes with Intellistart

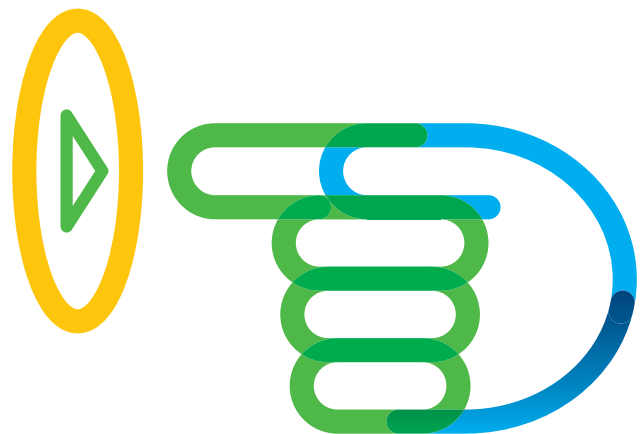
Prinect Press Center 2 is setting standards among other things with the process-oriented assistance system Intellistart®. It is unrivaled when it comes to fast job changes and a high level of automation. You can prepare the next job while the current one is still running. Intellistart additionally compares the current press status with the parameters for the new job and generates all the steps needed to change jobs intelligently and dynamically on the basis of this comparison.

Intellistart provides schedulable setup times and constant time savings with each job change thanks to a reduction of around 70 percent in the operating steps to be carried out on the control station, a reduction in the distance to be traveled between the control station and printing press, and a reduction in overall downtimes.

### Achieve optimal quality – quickly and reliably

Faster inking-up with less paper waste is made possible by the software applications of the Color Fast Solution, which run automatically in the background. In addition, you achieve a stable ink-water balance immediately during setup and continuous production.

The Color Assistant Pro assistance system offers high-precision ink presetting and much less paper waste during setup. It ensures that color presetting profiles for different papers, inks, and printing conditions are automatically optimized and that ink fountain liner wear is fully automatically compensated.



### Efficiency at the touch of a button.

Our innovative and intuitive operating concepts and the high level of automation offer you reliable performance and a noticeably reduced workload for your employees. For outstanding quality and productivity.



### **Color fidelity with the Prinect measurement systems**

Our Prinect print shop workflow offers you various color measurement systems for optimal, reproducible color stability. As the most economical system in its class, Prinect Easy Control is the ideal entry point into spectral measuring technology. With Prinect Image Control®, you have at your disposal a high-performance color measurement system for optimum quality throughout the print image.

### **Perfect data management with Prinect**

The Prinect Press Center 2 integrates the printing press into the Prinect print shop workflow. You benefit from excellent data management, current production data, and informative reports. For fast makeready processes, data from the Prinect workflow such as job information, preview images, and ink presets can be used for fast and precise workflows. Prinect Performance Benchmarking tells you how productively you are working by anonymously comparing your data with that of your competitors.

➔ **You can find more information on Prinect Press Center 2 here:**  
[heidelberg.com/en/prinect-press-center-2](https://heidelberg.com/en/prinect-press-center-2)



---

Web-based support –  
fast, secure, efficient:  
**Heidelberg Remote Services.**

---

Wide range of remote services:

- From troubleshooting and benchmarking through to predictive monitoring
  - 24/7 access to expert know-how at the push of a button
  - For increased machine availability and enhanced productivity
- 

➔ [heidelberg.com/en/remote-services](https://heidelberg.com/en/remote-services)

# Leader in the printing process.

## 14 clear benefits.\*

---

### Makeready

# 60 mins faster

**in postpress** – free positioning of the sheet brakes in the print-free area permits faster work-and-turn.

---

Precise ink presetting makes the difference – the Color Assistant Pro software means that **fewer than 60 sheets** may be needed before the run can be started.

---

Protective liner instead of bare metal – just

**1 min** instead of **5–10 minutes** to clean the ink fountain.

---

### Well below

# 1 min



for washing with the fastest washup program.

---

### Ecology

Only approx.

# 1 cl



of washing fluid for each rubber blanket wash cycle.

---

### Saving of

# 265 liters

**of isopropyl alcohol (IPA)** per ten million printed sheets by reducing alcohol content from ten to three percent using suitable dampening rollers.

---



# Outstanding characteristics.

## The facts at a glance.

---



### Equipment:

- Princt Press Center 2 control station with intuitive operator guidance system Intellistart for fast and process-oriented setup and extremely user-friendly operation.
- High preset capability for format settings, substrate thickness, ink presets, and speed compensation.
- Princt Easy Control and Princt Image Control color measurement systems support a reliable and standardized printing process.
- Also available in 605 × 750 mm (23.82 × 29.53 in) sheet format; for more repeats on the printed sheet.
- Sheet transfer system with Venturi technology for gentle and controlled travel of a wide range of substrates from the feeder pile to the delivery pile.
- Custom washup programs for quick and thorough washing of the inking unit and blanket and impression cylinders.
- The DryStar® dryer technology provides the perfect drying systems for different applications.

### Highlights:

- Individually configurable with four to six printing units, optionally with coating unit and various dryer systems (DryStar Coating/Combination/UV/LE UV/LED).
- Highest print quality at a maximum printing speed of 15,000 sheets per hour.
- High flexibility thanks to a wide range of substrates from lightweight paper through to rigid cardboard (0,03 mm – 0,80 mm/0.0012 in – 0.024 in).
- One of the narrowest presses in this format class combined with the best ergonomics thanks to its innovative operating concept.
- Preset values provide a fast way of achieving easy, reproducible production with consistently high print quality.
- Preset Plus feeder looks after the relevant format and air settings, for reduced makeready times and steady sheet travel.
- Preset Plus delivery with optimal, precise sheet pile and touchscreen for easy settings.

The Speedmaster CX 75 is the flexible straight-printing press in the 50 × 70 (19.69 × 27.56 in) format range – an all-rounder built for the future. It offers a modern press concept with innovative solutions. The result is a versatile and economical press, perfectly tailored to the requirements of your customers and to your success.



- The coating unit with chamber blade system ensures uniform coating application. Automated coating plate and blanket changes cut down on makeready times. Easy screen roller and coating changes further enhance the flexibility.
- Perfect drying with thick substrates and high speeds thanks to the delivery extension and DryStar Combination with round-nozzle technology.

→ You can find more about technical data and facts here: [heidelberg.com/cx75/technical-data](https://heidelberg.com/cx75/technical-data)



---

The intelligent factory:  
**Prinect – the integrated print and media workflow.**

---

- Software modules for automated and transparent production control
  - Prinect Production integrates prepress, digital and offset printing as well as postpress
  - Prinect Portal opens digital doors, irrespective of working and production times
  - Prinect Business links administration with production
  - Prinect Media permits modern media communication, both online and printed
- 

→ [heidelberg.com/en/prinect](https://heidelberg.com/en/prinect)



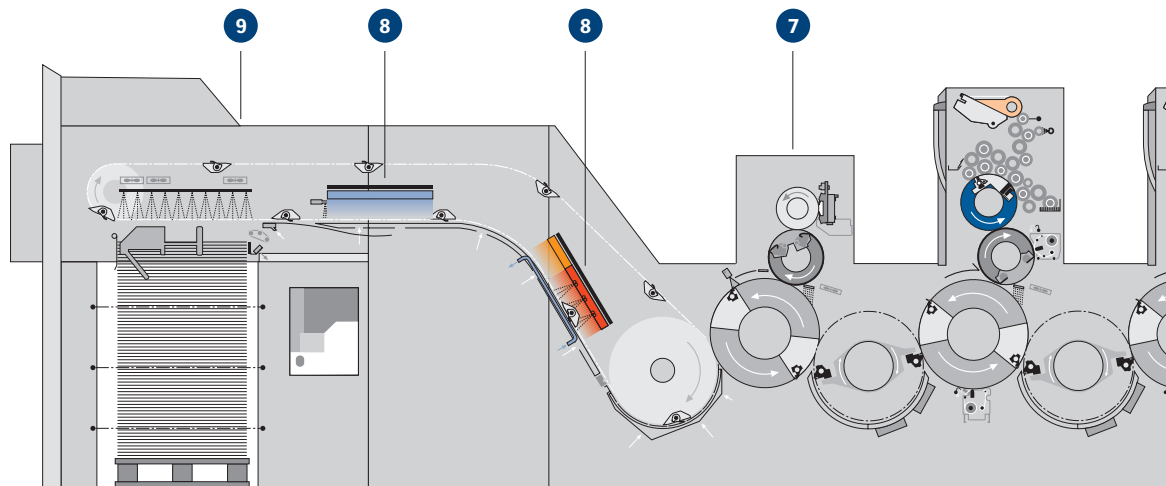
Perfect piles thanks to the Preset Plus delivery ensure smooth postpress operations.



The coating unit in combination with the DryStar dryers permits outstanding coating and drying results, even at high speeds.



The generous space between the printing units in combination with folding steps permits quick and easy operation.



Speedmaster CX 75-5+L. The press shown is a sample configuration. Some of the equipment features mentioned are optional.

### 1 Antistatic technology

- StaticStar antistatic technology minimizes electrostatic charging, especially with lightweight materials, and optimizes the sheet travel for high production speeds.

### 2 Feeder

- Preset Plus feeder with central suction tape and pneumatic pull lay for precise alignment of the sheet as the launchpad for optimal production.

### 3 Inking unit and dampening system

- The inking unit and dampening system offer responsiveness and color stability. Relevant functions can be remote-controlled, including the short-path inking function with minimal ink consumption.
- The Vario function avoids hickeys during the production run.

### 4 Plate changing system

- AutoPlate Pro permits fully automatic, staggered plate changes within the shortest time.

### 5 Blanket washing devices

- Extremely quick washing with outstanding results for rubber blanket and impression cylinders.
- Easy and ergonomic installation and removal as well as fast swapping of the washup cloths.

### 6 Sheet travel

- The sheet transfer system with Venturi technology in the feeder and delivery and the presettable printing-nip blowing unit ensure gentle sheet travel.
- Double-diameter cylinder transfer for a wide range of substrates.

### 7 Coating unit

- Register settings can be made in a wide setting range from within Prinect Press Center 2.

### 8 Dryer system

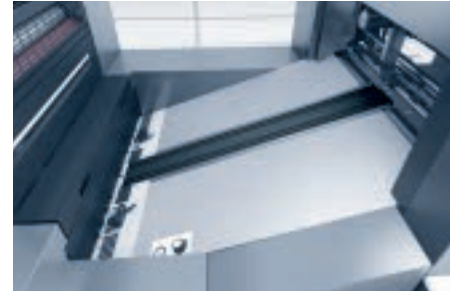
- The fully integrated DryStar drying technologies are optimally matched to the sheet travel.



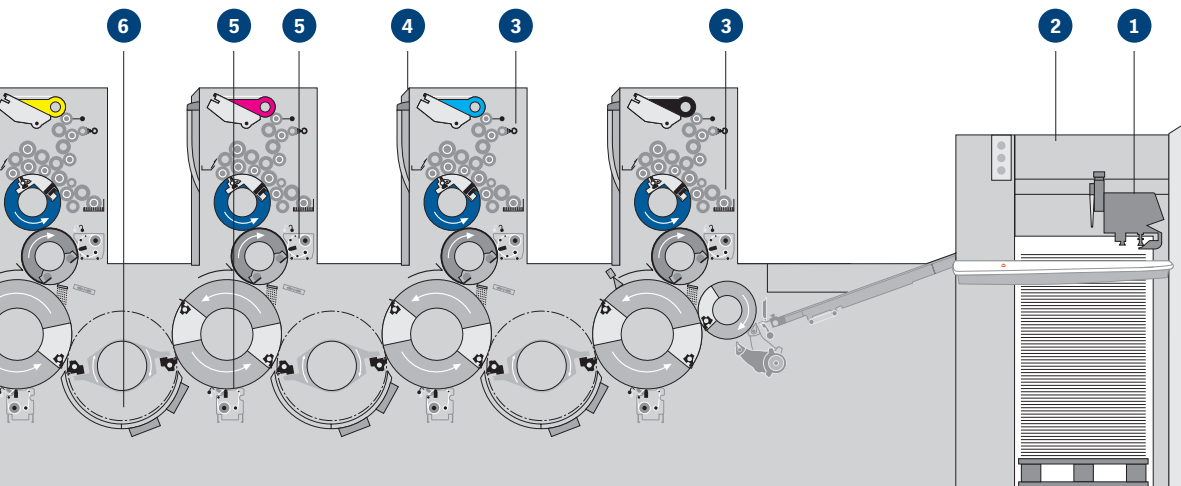
Very gentle sheet travel thanks to double-diameter impression cylinders and the venturi technology.



The inking unit and dampening system permit stable coloring over the entire production run.



The Preset Plus feeder provides the best launchpad for successful production.



## 9 Delivery

- The Preset Plus delivery automatically takes all relevant settings from the presetting data.
- High printing quality in different applications is made possible by the free positioning, the option of an inclined position, and the easy removal of the sheet brake modules with suction tape.
- The presettable delivery air system with honeycomb grid ensures optimal distribution of the air flows and precise delivery of different materials.

→ You can find more about the details of your Speedmaster here:  
[heidelberg.com/en/cx75](https://heidelberg.com/en/cx75)



For maximum availability:  
**Predictive Monitoring.**

- Continuous monitoring and analysis of the machine data of your Speedmaster
- Early fault detection by identification of problems before they lead to downtimes
- Definition of preventive measures
- Maximum machine availability and reliable production planning

→ [heidelberg.com/en/monitoring](https://heidelberg.com/en/monitoring)

You can find more about the economy and efficiency benefits of your Speedmaster, operating data, and sample calculations here:

➔ [heidelberg.com/cx75/efficiency](https://heidelberg.com/cx75/efficiency)



---

## Quality

**100 %** color fidelity in production, less paper waste, and easy reproducibility thanks to colorimetric control with Prinect Easy Control.

**100 %** coordinated – the combination of Venturi sheet guide and round-nozzle dryer technology for a dry sheet even at top speed.

---

## Productivity

Stable top speed of

**15,000**

**sheets**



**per hour** from lightweight paper through to cardboard.

---

**0 minutes wait time** until the sheet is dry – straight into postpress thanks to DryStar LE UV/ DryStar LED.

Produced as priced – less than

**5 mins**

from the last sheet in one run to the first good sheet in the next.

---

Pile changes in non-stop operation with **15,000 sheets/hour** and maximum substrate thickness are easily accomplished.

---

## User friendliness

**70 %**

**fewer operating steps** per job change with Intellistart.

All roller settings for each printing unit checked in **5 minutes** and **20 minutes** per adjustment cycle saved with the Roller Check Assistant software.

---

\* see reverse

# The future is bright.

## UV finishing.

---

Bright results, short drying time, wide variety of substrates. UV-finished print products stand out thanks to their brightness, their feel, and their short throughput times.

What sets UV printing apart is its high productivity. UV-curing inks and coatings can go into postpress faster, which means no more waiting times and shorter delivery times. Storage space can also be reduced, since there is no longer any need to store semi-finished products. UV printed products provide a way to broaden your service portfolio for your customers.

The Speedmaster CX 75 with UV technology opens up new areas of business for you. You have even greater flexibility in the choice of substrate available to you, since plastics or natural and recycled papers can also be processed with exceptional brightness.

### **DryStar UV – outstanding performance in commercial and packaging printing**

DryStar UV technology offers the perfect solution for print shops looking to explore the benefits of UV on their Speedmaster CX 75. DryStar UV reveals its strengths in equal measure in commercial printing and in label and packaging printing, even with short runs. With DryStar UV you benefit from a wide range of applications in terms of substrates, inks, and coating types.

### **DryStar LE UV – for increased energy efficiency**

DryStar LE UV (Low Energy) uses special, highly reactive UV inks and coatings with a very energy-efficient curing process. Optimum coordination of the lamp technology to the press ensures extremely efficient energy use. Compared with conventional UV systems, DryStar LE UV technology requires comparatively low investment while offering almost the same range of applications.

### **DryStar LED – environmentally friendly technology for the future**

DryStar LED also delivers fast throughput times with the help of a future-oriented technology. You benefit from maximum energy efficiency and ozone-free production without any radiant heat within the press. With DryStar LED technology, you get a perfectly dry sheet through the precise focusing of the light and the optimal distance from the sheet travel. No power is consumed in standby mode (makeready times, washing times) thanks to the Instant On/Off system. Auto Format Setting adapts the dryers to the paper format. This means that only those diodes that are required for the sheet format are switched on. Another advantage is the much longer lifetime of the LEDs compared with lamp technology.

All drying systems are perfectly matched to the features of the Speedmaster CX 75 and fully integrated into the press and the remote system.





Your press can be prepared for UV right from the factory. In addition to the UV delivery dryers, interdeck dryers whose positions can be freely selected when configuring the press are also available.

All UV systems have been approved by the German Employer's Liability Insurance Association and feature the "Geprüfte Sicherheit" (Tested Safety) seal of quality.

→ You can find more about the **DryStar UV technologies here:** [heidelberg.com/en/starsystem](https://heidelberg.com/en/starsystem)



---

Tried, tested and proven:  
**Saphira UV, Low Energy and LED.**

---

- Comprehensive range of matched inks, coatings, blankets and consumables for UV, Low Energy and LED printing
- Direct postprocessing of instantly dry printed products possible
- Suitable for paper, plastics, foils or metalized paper
- Curing without a large amount of heat, thus avoiding distortion of plastics
- Faster throughput time reduces storage area and logistical requirements

---

→ [heidelberg.com/en/saphira-uv](https://heidelberg.com/en/saphira-uv)

# Machine and markets.

## Flexibility for all requirements.

The Speedmaster CX 75 is the all-rounder that best equips you to meet your customers' needs. You benefit from the wide range of substrates and high level of automation of the press – factors that enable you to offer your customers an extensive product range and maximum flexibility.

### **The multi-talent**

The Speedmaster CX 75 is the ideal press for customers that process a wide range of substrates. Whether traditional advertising materials or products from the area of packaging printing, you can rely on the Speedmaster CX 75.

The Speedmaster CX 75 is the perfect press for print shops that offer a wide range of applications. Its high level of flexibility means that you can comprehensively meet your customers' different requirements. It also offers consistently high print quality, various finishing options, an ergonomic operating concept and a high level of automation that has been tailored to the daily demands of a print shop. Other advantages are the small footprint thanks to the narrow design of the Speedmaster CX 75 as well as the many configuration and equipment options.

### **Commercial printing**

Success here demands an efficient production process that reduces costs and therefore increases cost efficiency.

The Speedmaster CX 75 is the highly productive straight-printing press for almost all applications. It is extremely flexible, enabling you to use a wide variety of different materials like natural papers or coated and shiny materials.

The press also offers you a wide range of finishing options like gloss and matt coating as well as spot and drip-off coating. With innovative drying technologies, you can make

the most of these advantages in both conventional and UV printing.

With short runs, you benefit from automatic switchover made possible by accepting the preset values. This minimizes your makeready times and at the same time lowers your costs. The Speedmaster CX 75 is also the ideal press for getting started in packaging printing.

### **Label printing**

Lightweight substrates are predominantly used in the production of labels. Not a problem for the Speedmaster CX 75. With the StaticStar® anti-static package, you can process thin materials and foils with ease. The benefits of the UV technology are also brought to bear here. Another advantage is the availability of a larger format (605 × 750 mm, 23.82 × 29.53 in), which makes it possible to have more labels on the sheet.

The combination of the sheet guide with Venturi technology, high-performance sheet brake and delivery air system in the delivery achieves reliable and precise placement on the pile for quick and easy finishing.



### **Packaging printing**

The Speedmaster CX 75 lets you produce many applications cost-effectively in the growing packaging market. Customers often want short runs of small packagings, for example for local products. The Speedmaster CX 75 demonstrates its versatility once more here, especially in combination with the larger 605 × 750 mm (23.82 × 29.53 in) sheet format. This enables more repeats to be placed on the sheet. The cylinder concept with double-diameter impression cylinders allows you to process heavy grammages with ease.

Coating application and drying as well as UV technology reduce your throughput times. Coordinated dryer systems ensure optimal drying results with minimal energy consumption – even at high speeds and with high color assignment.

In Speedmaster CX 75 configurations with coating unit, the easily extended delivery permits optimal drying results, even with heavy grammages and high production speeds, from a small footprint.

# Simply get in touch.

## Your dialog with Heidelberg.

---

You and your company's success are our prime focus. To be able to realize this ideal, it is important for us to know your wishes and requirements. Only then can we offer you a customized printing solution that works perfectly for you.

### **We look forward to hearing from you!**

Get in touch with us for more information, a customized offer and everything else about Heidelberg and the Speedmaster CX 75 you would like to know.

#### **E-mail**

[info@heidelberg.com](mailto:info@heidelberg.com)

#### **Website**

[heidelberg.com](http://heidelberg.com)



Your direct access to the digital world of Heidelberg, newsletter registration, our international distributors and social media channels. Simply use your smart-phone to scan the QR code.

[heidelberg.com/dialogue](https://heidelberg.com/dialogue)

## Heidelberg Druckmaschinen AG

Kurfuersten-Anlage 52 – 60

69115 Heidelberg

Germany

Phone +49 6221 92-00

Fax +49 6221 92-6999

[heidelberg.com](http://heidelberg.com)

### Publishing Information

Printed in: 06/19

Photos: Heidelberg Druckmaschinen AG

Platemaking: Suprasetter

Printing: Speedmaster

Finishing: Stahlfolder

Consumables: Saphira

Fonts: Heidelberg Antiqua MI, Heidelberg Gothic MI

**Printed in Germany**

### Trademarks

Heidelberg, the Heidelberg logotype and DryStar, Intellistart, Prinect, Prinect Image Control, Prinect Press Center, Saphira, Speedmaster, Stahlfolder, StaticStar, and Suprasetter are registered trademarks of Heidelberg Druckmaschinen AG in the U.S. and other countries. All other trademarks are property of their respective owners.

### Subject to technical modifications and other changes.

### Liability for contents

The contents of this brochure have been prepared with great care. No warranty or liability is accepted for the correctness, completeness, or accuracy of the information. There is no guarantee that the customer will be able to achieve the values and numbers (e.g. relating to the function and performance of the machine) specified in the brochure. The information provided is based on ideal conditions and proper use of the machine. Achieving these values and numbers depends on a variety of factors and circumstances that are outside the control of Heidelberg (e.g. machine settings, technical conditions, ambient conditions, raw materials and supplies used, consumables used, standard of care and maintenance of the machine, expertise of the operator, etc.). They therefore constitute neither characteristics of the machine nor a guarantee. This brochure does not constitute a contractual offer and is solely for the purpose of providing (non-binding) information.