

Equipment



Boost Your Productivity and Cost-Efficiency. **Easymatrix 106 FC.**



HEIDELBERG

Open up New Markets with Outstanding Production Stability. Easymatrix 106 FC.

High-quality printing alone means nothing, if the finishing is not right. Your customers will be unhappy with the final result and that is the sole basis on which you are judged.

For this reason Heidelberger Druckmaschinen AG enlarged the product portfolio of the hot foil stamping machines with the Easymatrix 106 FC. The main machine is based on the proven Easymatrix 106 CS technology, combined with the hot foil device of the Promatrix 106 FC. Consequently, the Easymatrix 106 FC can be used as finishing machine for hot foil stamping jobs or it can be used as a conventional die cutter whenever needed. Thus you can offer customers the comprehensive service they expect. This includes finishing, because die-cutting and hot foil embossing are now regarded as an integral part of quality commercial and packaging printing, especially for the embellishment of high-class cosmetic boxes, premium confectionery packaging and labels.

As an alternative to outsourcing jobs of this kind, the Easymatrix 106 FC die-cutter offers you an economical entry-level solution for commercial and packaging printing. You can save an enormous amount of coordination time and eliminate the possibility of quality problems, while also benefiting from an efficient workflow, optimum productivity and quality you can be proud of. That is the kind of final result by which you should be judged.

The hot foil module of the Easymatrix 106 FC offers the opportunity to apply metallic effects and even emboss structures or reliefs in a single work flow. A combination of both the proven economical technology and low material consumption are particularly impressive features of the machine. As a result the Easymatrix 106 FC boasts an excellent return on investment, regardless of whether your run lengths are long or short, the machine will enable all your production jobs to be in your control and

finished to very high standards producing brilliant metallic surface effects.

You are completely flexible with the Easymatrix 106 FC because it processes an incredibly large range of printing material, from paper with a weight of 90 g/m², via cardboard or solid board of up to 2,000 g/m², to corrugated board with a maximum thickness of 4 millimeters. The Easymatrix 106 FC combines outstanding quality with efficient workflow – at processing speeds up to 7,500 sheets per hour in die-cutting mode and 6,500 sheets per hour in foiling mode. Sheet formats ranging from a minimum of 360 × 400 mm to a maximum of 750 × 1,060 mm can be processed.

The Easymatrix 106 FC offers not only easy touchscreen control and comfortable set up of hot foil data with a separate computer system, but also high flexibility due to the optional chase changing table offering comfortable and ergonomic operation and shorter changeover times.

We are committed to ensuring the success of your entire production process –from prepress to postpress - and offer you fully integrated complete solutions for commercial and packaging production that are fully compatible with the relevant 70 × 100 format.

The Easymatrix 106 FC is manufactured by Masterwork, exclusively distributed and backed up by Heidelberg's professional and renowned, worldwide sales and service network. This opens up the way for an end-to-end production process coupled with greater efficiency.

[→ heidelberg.com/hot-foiling](https://www.heidelberg.com/hot-foiling)

Decisive Characteristics. The Facts at a Glance.



Features:

- High machine speed: 7,500 sph
- High cutting pressure: up to 260 tons
- 20 individual controlled heating zones
- High flexibility by foil path longitudinal and transversal (option)
- Easy set-up and data saving of foil relevant data at separate computer system
- Easy foil changing from operator side, thanks to telescopic foil feeding bars
- Optional device for hologram applications
- Optional foil rewinder as an alternative to the standard brush system for foil waster management
- Optional rewinder as alternative for foil disposal with brush system
- Non-Stop function in feeder and delivery

Highlights:

- The basic machine is already equipped with all functions and equipment to start hot foil stamping or die-cutting
- The basic machine possess three longitudinal foil feeding shafts (optional up to six) and can be upgraded by up to two transversal foil feeding shafts
- Short set-up times, due to a smart operator concept and additional equipment e.g. chase changer
- Easy machine and hot foil unit handling
- Job data saving of foil relevant data
- Good price-performance ratio

➔ [heidelberg.com/hot-foiling](https://www.heidelberg.com/hot-foiling)



长荣股份
MASTERWORK

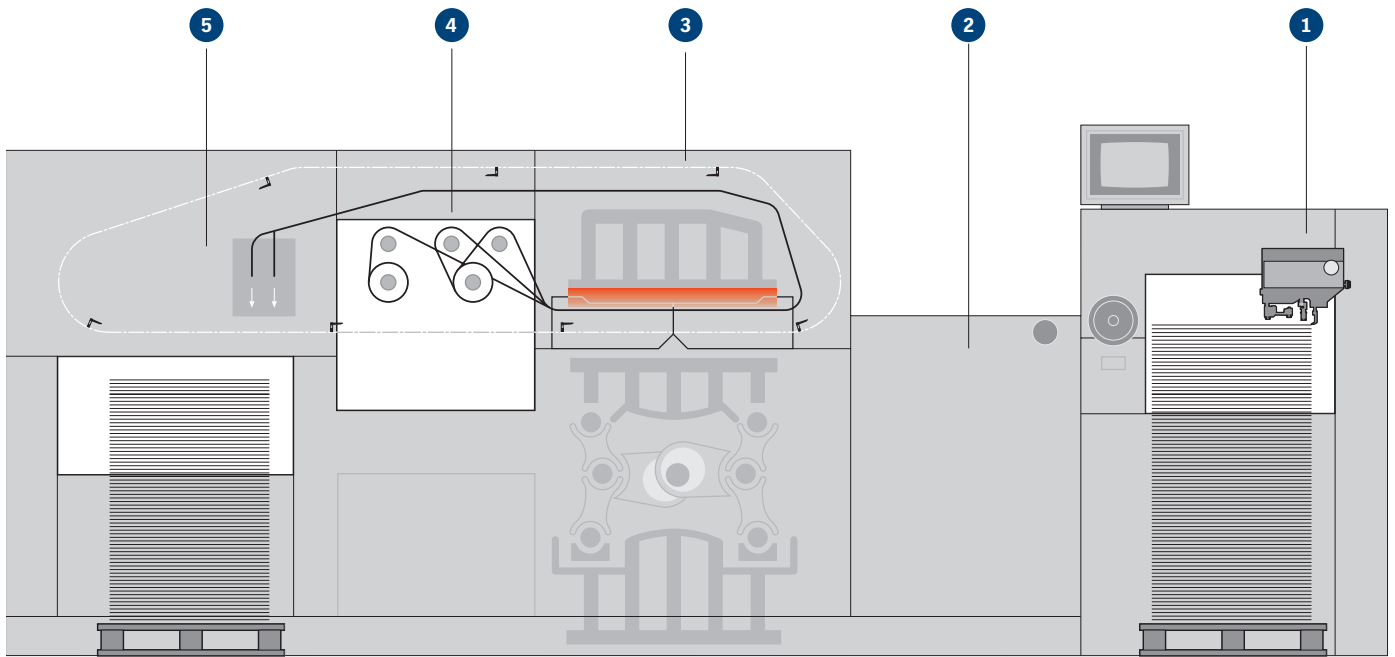


For value retention and maximum performance:

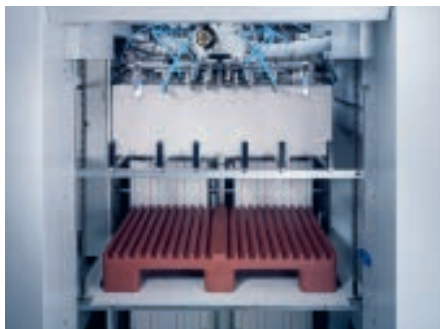
Service Agreements.

- Service agreements offer security and peace of mind, while at the same time providing you with the benefits of full cost control and simple administration
- Servicing by highly trained technicians
- Exclusive use of original service parts
- Protection of your machine investment
- Retention of a high resale value

→ [heidelberg.com/service-agreements](https://www.heidelberg.com/service-agreements)



The machine shown is a sample configuration. Some of the equipment features mentioned are optional.



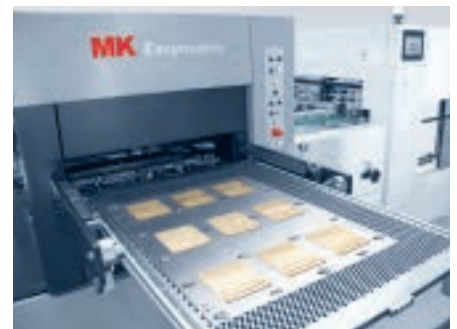
1 Non-Stop-Feeder

- Suction head for paper, board and corrugated materials
- Suction head with quick positioning function
- Pile platform with motorized side alignment
- Mechanical double sheet detection



2 Feed Table

- Register system
- Pull/push side lay on operator and drive side
- Equipped with central positioning for rollers and brushes
- Four front lays with activable optical monitoring
- Ultrasonic double-sheet detector



3 Cutting Station

- Register system
- Motorized cutting pressure adjustment
- Cutting plate fine adjustment
- Air cushion for easy cutting plate handling
- Chase changer (option)

Technical Data

Suitable Material	Easymatrix 106 FC
Paper (min.)	90 g/m ²
Cardboard (max.)	2,000 g/m ²
Corrugated Board (max.)	4.0 mm
Performance Data:	
Sheet size (max.)	750 × 1,060 mm
Sheet size (min.)	360 × 400 mm
Cutting pressure (max.)	2.6 MN / 260 t
Machine speed (max.)	7,500 B/Std.
Hot Foil Stamping	
Hot Foil speed max.	6,500 sph
Hologram speed (option)	5,500 sph
Temperature	max. 180° C
Number of heating zones	20
Foil reel diameter: longitudinal transversal	max. 250 mm max. 200 mm
Foil width	20 – 1,020 mm
Pile Heights (incl. pallet)	
Feeder pile (max.) without Non-Stop with Non-Stop	1,200 mm 900 mm
Delivery pile (max.)	1,000 mm



4 Hot Foil Unit

- Three longitudinal foil feeding shafts
- Hologram device (option)
- 20 heating zones
- Telescopic foil feeding bars
- Motorized brush device for foil disposal
- Rewinder (option)



5 Delivery

- Non-Stop rolling carpet
- Pneumatic flap for test sheet removal
- Motorized adjustment of brake brush power



6 Hot Foil Computer System

- Calculation of foil feeding steps
- Adjustment of temperature & cutting pressure
- Job data saving
- Simulation of foil feeding steps

Features and Benefits.

Easymatrix 106 FC.*

Speed.

6.500  **SPH**

in foiling mode.



Safe Operation.

Confirmed by GS approval.

Format: 750 × 1,060 mm
Compatible with Speedmaster

CD 102/CX 102.

Guided set-up
with hot foil computer system.

20
heating zones.

Hot Foil Stamping – Hologram Application – Die-Cutting

Refinement of **labels** and **packaging**
boxes for cosmetics, food, cigarettes
and premium confectionery.



Transversal and longitudinal foiling paths.

Cutting pressure.

260
tons.

Sales and Service Partner:
Heidelberger Druckmaschinen AG
Kurfuersten-Anlage 52 – 60
69115 Heidelberg
Germany
Phone +49 6221 92-00
Fax +49 6221 92-6999
heidelberg.com



For details on the emissions of the Easymatrix 106 FC, please visit us at heidelberg.com/emissiondetails

Liability for contents

The contents of this brochure have been prepared with great care. No warranty or liability is accepted for the correctness, completeness, or accuracy of the information. There is no guarantee that the customer will be able to achieve the values and numbers (e.g. relating to the function and performance of the machine) specified in the brochure. The information provided is based on ideal conditions and proper use of the machine. Achieving these values and numbers depends on a variety of factors and circumstances that are outside the control of Heidelberg as distributor and MK Masterwork as manufacturer (e.g. machine settings, technical conditions, ambient conditions, raw materials and supplies used, consumables used, standard of care and maintenance of the machine, expertise of the operator, etc.). They therefore constitute neither characteristics of the machine nor a guarantee. This brochure does not constitute a contractual offer and is solely for the purpose of providing (non-binding) information.