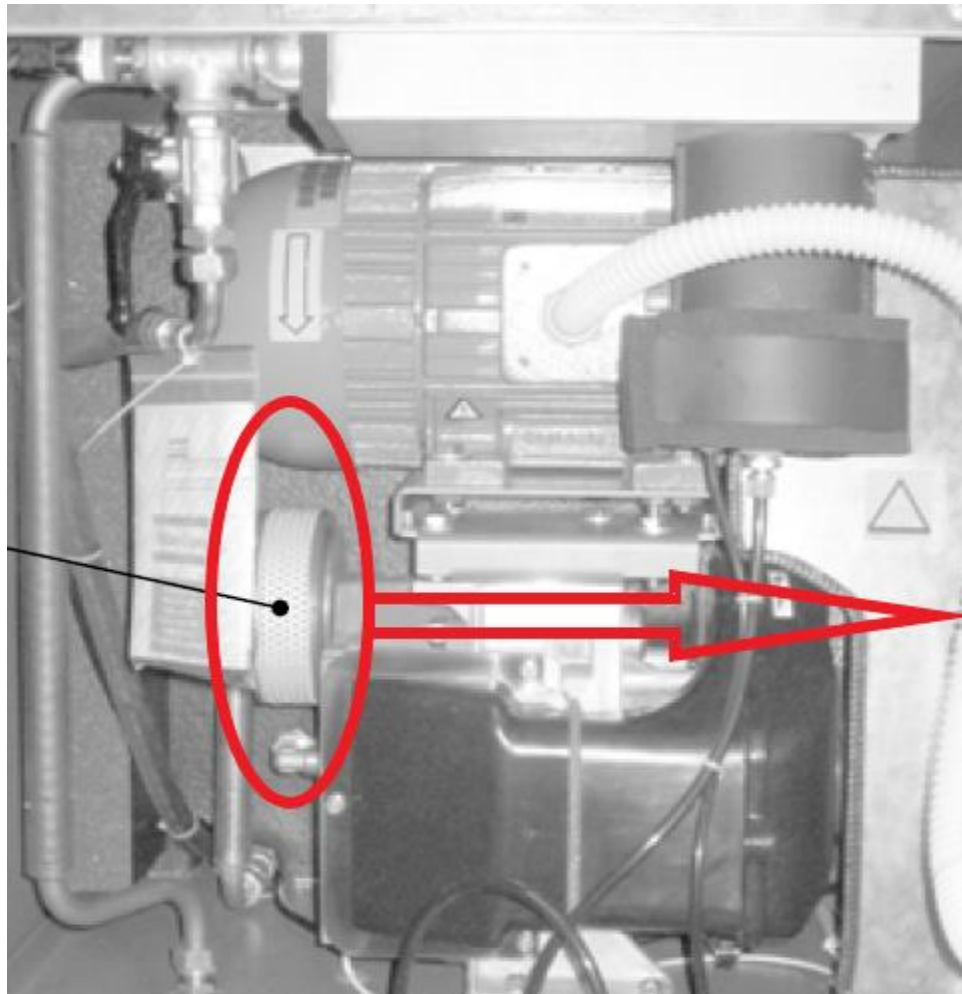


A large, industrial printing press, the Heidelberg Speedmaster SM 74 / PM 74, is shown in a faded, light gray background. The machine is complex, with various rollers, gears, and a control panel visible on the left side. The text is overlaid on this background.

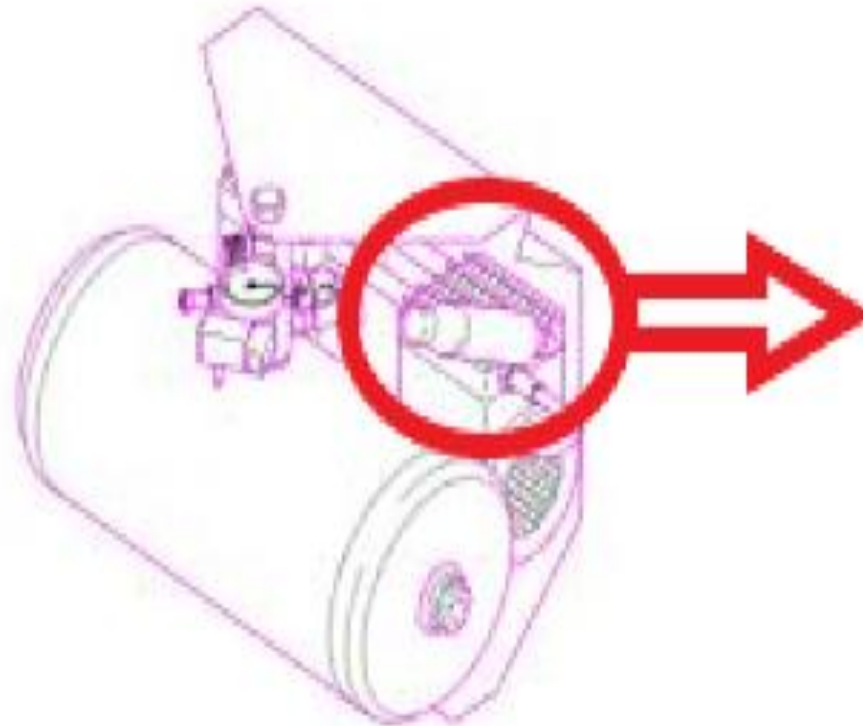
**HEIDELBERG**  
**Speedmaster SM 74 / PM 74**  
**Annual Filter Replacement Kit**

Part Description	Part No.	Qty	Designation
Air filter Atlascop 1503 0189 00	71.102.1911/	1	AtlasCopco pneumatic compressor air intake filter
Filter cartridge	89.102.1961/	1	Durr pneumatic compressor air intake filter
Filter cartridge	00.780.3702/	1	Powderspray filter pump air intake in black housing
Filter cartridge	L8.164.1510/	1	Powderspray filter pump air intake exposed wire casing
Filter 67 x 245	00.580.4992/01	2	Slowdown suction device & Sheet decurler filters
Filter cartridge 730.512	47.018.106 /	1	Slowdown suction device & Sheet decurler filters
Filter mit Dichtung	M2.102.2051/	1	Pressure/vacuum pump
Filter cartridge Rie.731148 m.Druckfed	M2.102.2061/	1	Pressure/vacuum pump
Filter C31/1	00.780.0094/	2	Pressure/vacuum pump
Filter cartridge KLT 15	G2.102.1971/	1	Pressure/vacuum pump
Filter cell 170x140x47	M2.179.1981/01	1	Siemens pump filter
Filter FA001105	00.580.6146/	1	Suction sidelay filter
Wet air filter 43.036.67.012	00.580.1166/	3	Air intake filters
Filtering mat	C7.170.0567/	1	IR dryer filter
Filter cartridge WG958	00.581.0246/02	1	Oil filter
Filter EIT-725-35978	00.580.4888/01	3	Washup tank filters
Filter for Prinect and Impress Control/	CP.158.0039	1	Inpress and Press computer air intake filter
Saphira Lubricant HP3 0,3l Pumpdose	00.580.5681/01	1	Lubricating spray oil
Saphira Lubricant Multi-temp. H1 A1 400g	00.581.0188/	1	Gripper and camfollower grease 400g
Steel brush	66.024.024 /	1	Gripper cleaning brush

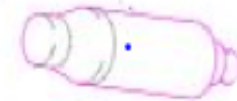
## Atlas Copco Pneumatic Compressor Filter - 71.102.1911/



## Durr Pneumatic Compressor Air Intake Filter - 89.102.1961/



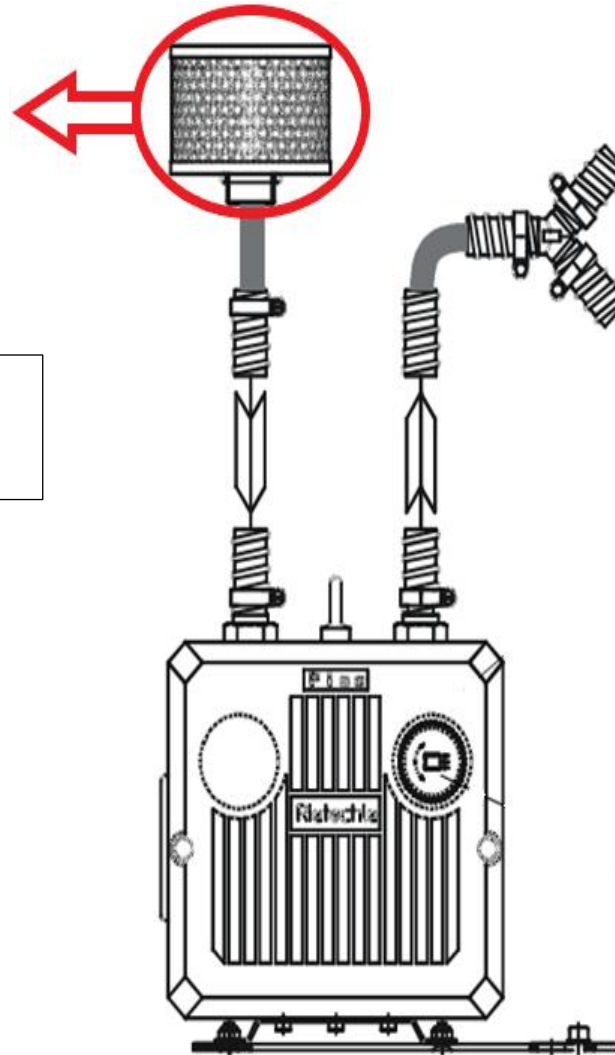
**Compressor  
located under  
Feeder on 1  
Colour & 2 Colour  
presses**



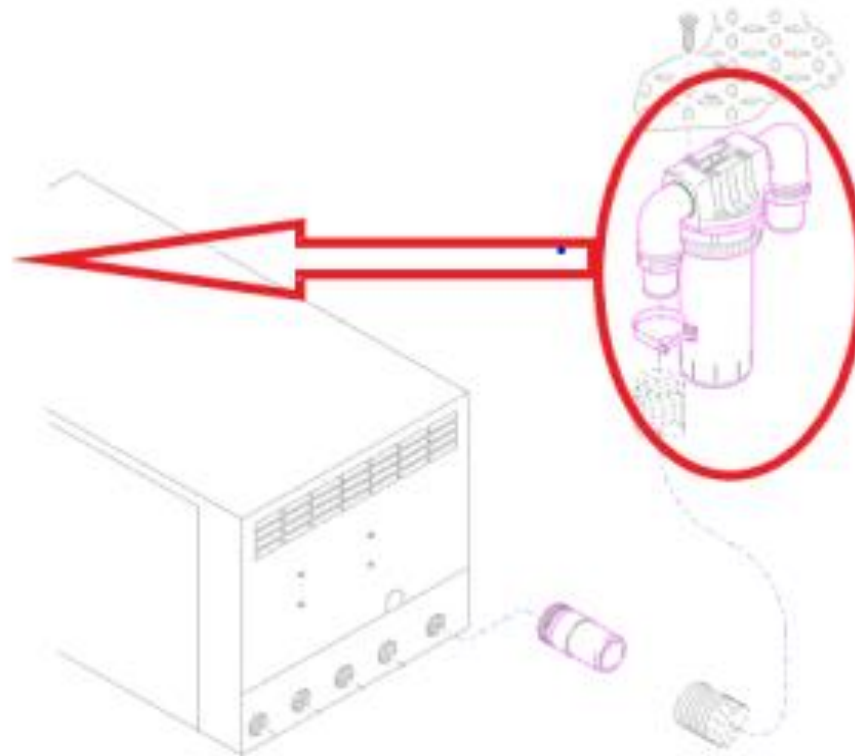
## Powder Spray Air Intake Filter

- 00.780.3702 – Paper Filter in black housing
- L8.164.1510/ - Paper Filter metal encased

**\* Filter located below the last step on the O.S delivery end**

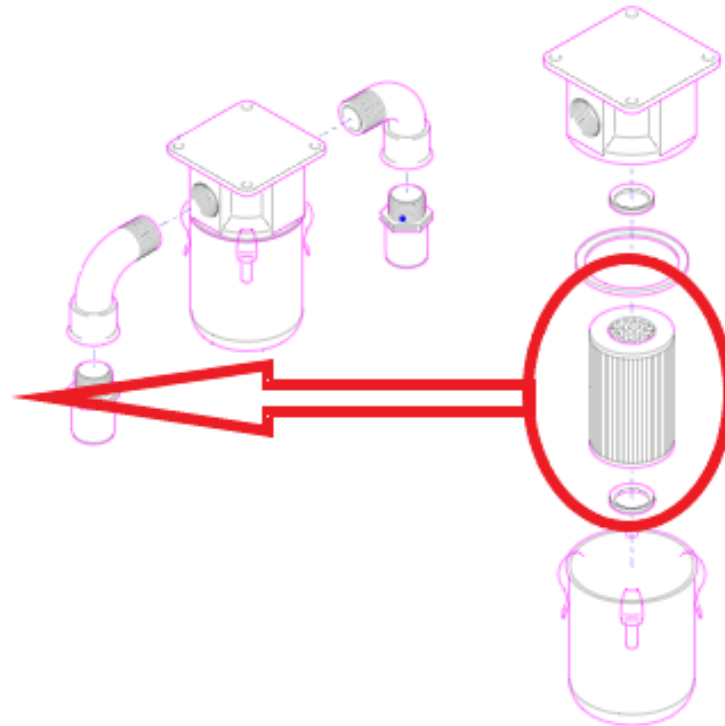


## Suction Slowdown Filter - 00.580.4992/01



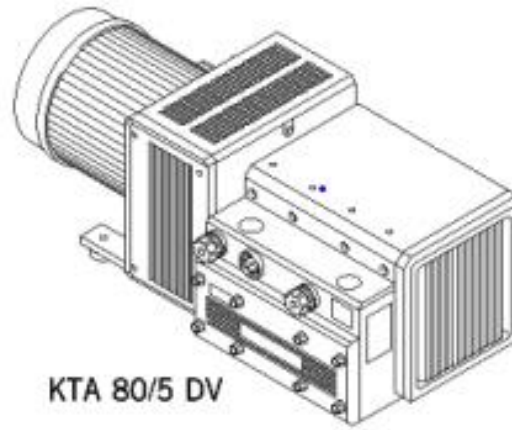
**\* Filter located under D.S footboard Delivery end**

## Suction Slowdown Filter - 47.018.106 /



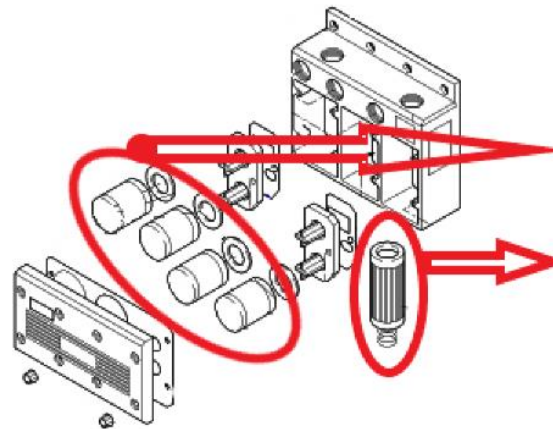
**\* Filter located under D.S footboard Delivery end**

## Pressure/Vacuum Pump Filter



KTA 80/5 DV

**\* Pump located under D.S  
footboard Feeder end**

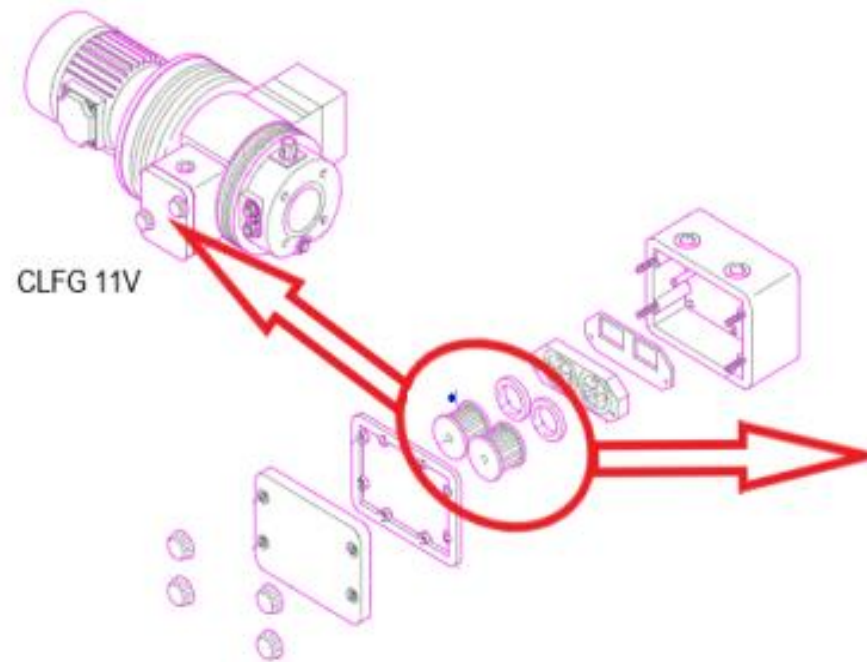


\* Filter – M2.102.2051

\* Filter – M2.102.2061

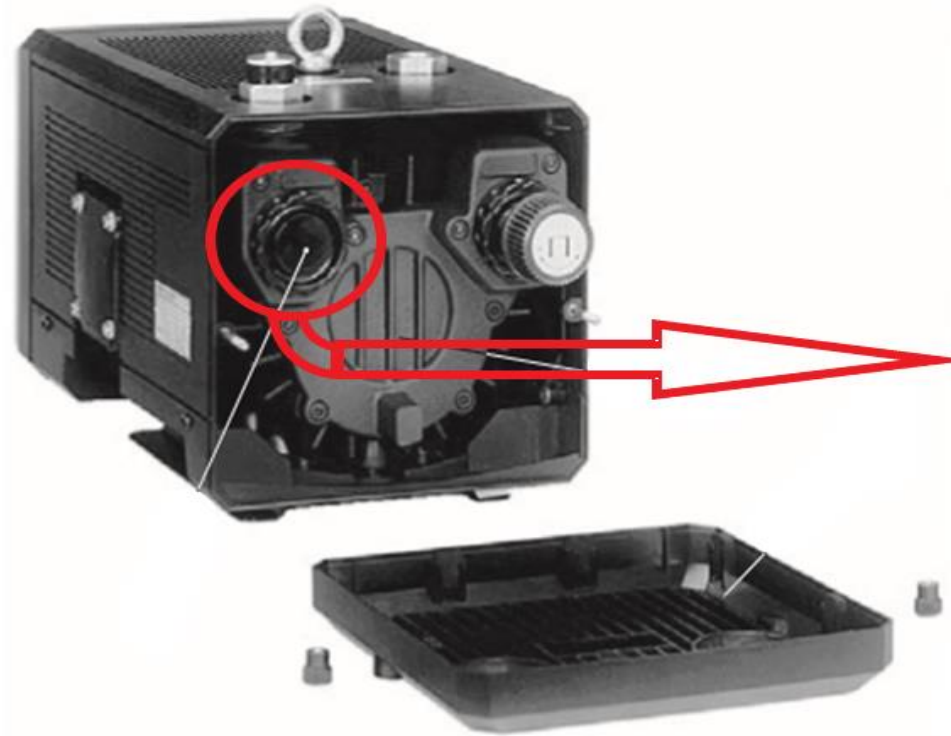


## Pressure/Vacuum Pump Filter - 00.780.0094/



**\* Pump located under O.S footboard**

## Powder Spray Pump Filter

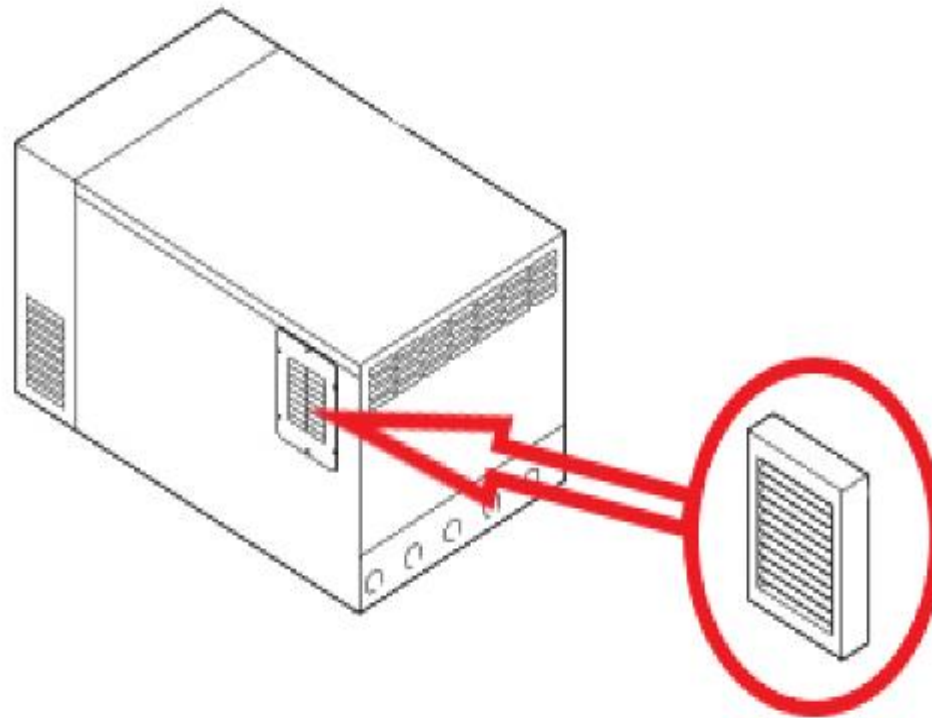


**\* Pump is located  
under the Delivery**

\* G2.102.1971/ (KLT15)

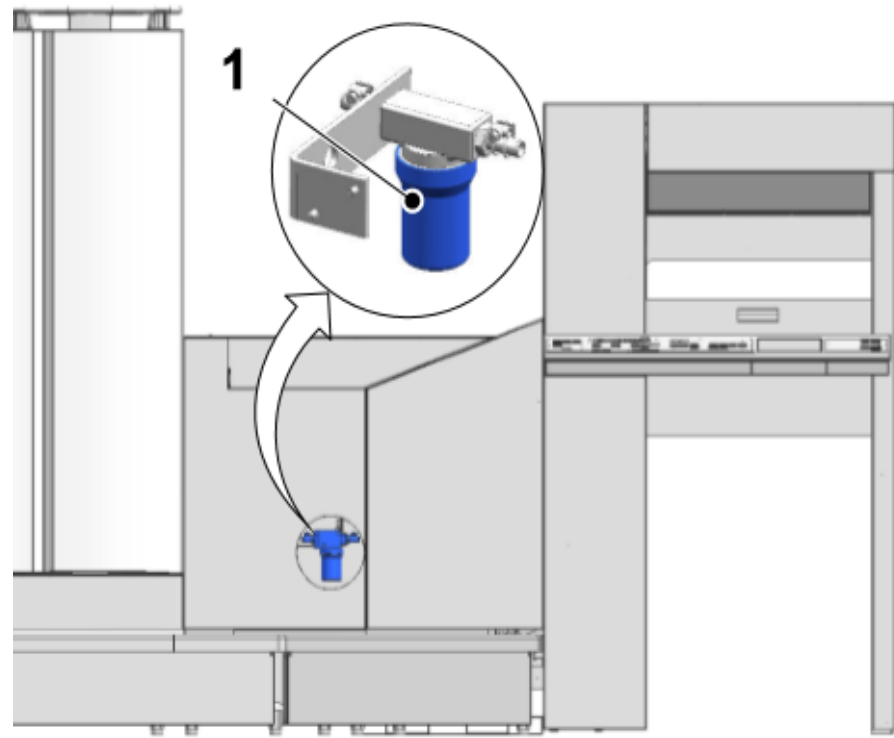
**\* Pump located under the Delivery**

## Siemens Pump Filter - M2.179.1981/01



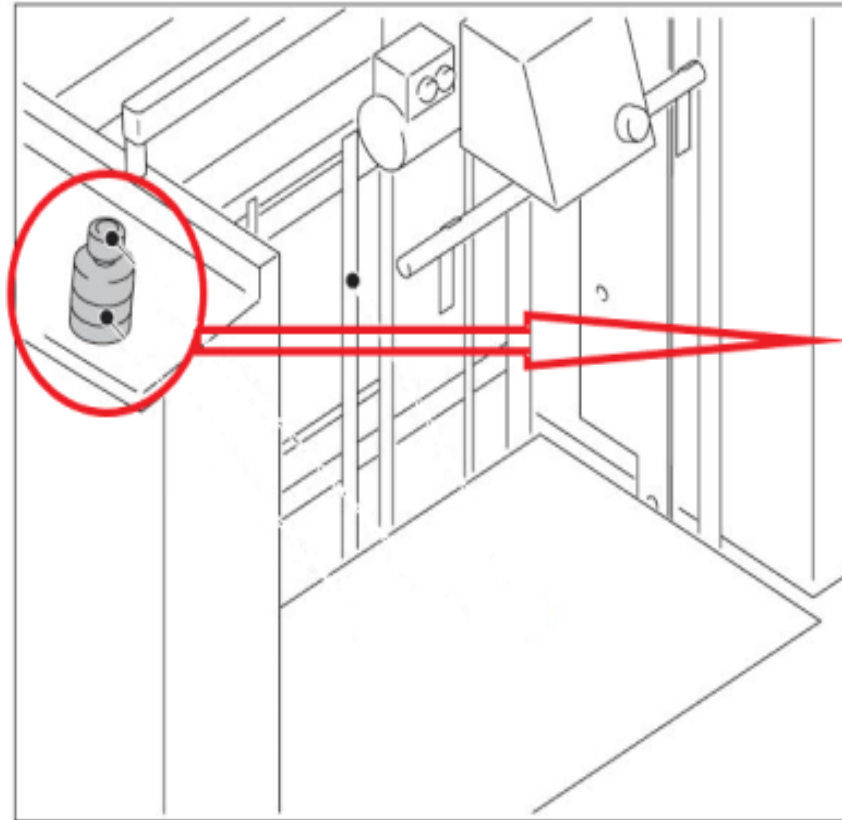
**\* Pump located under D.S footboard Delivery end**

## Suction Side Lay Filter - 00.580.6146/



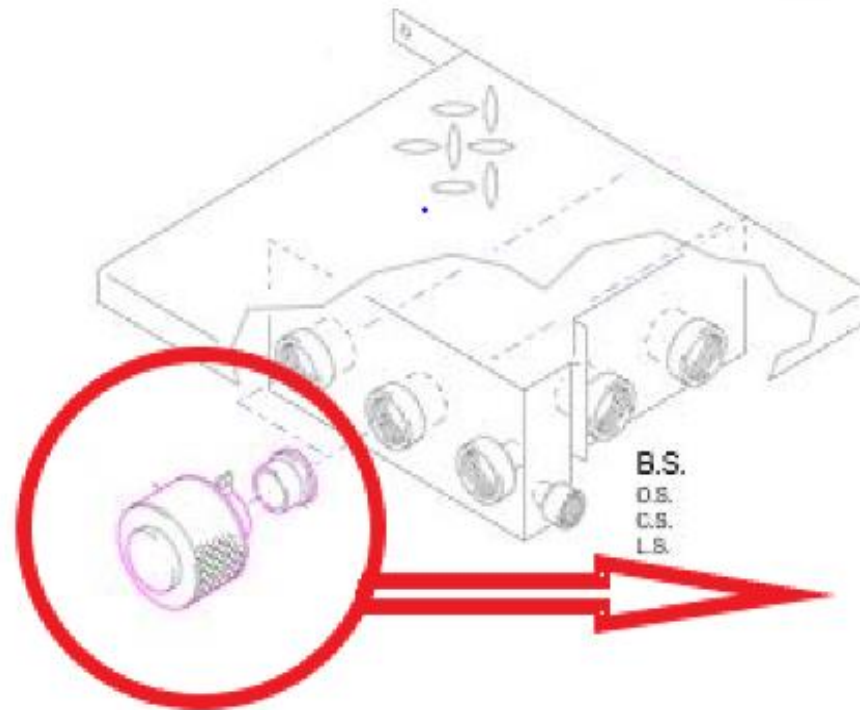
**\* Filter located under the Feed board**

## Front Lay Air Intake Filter - 00.580.1166/

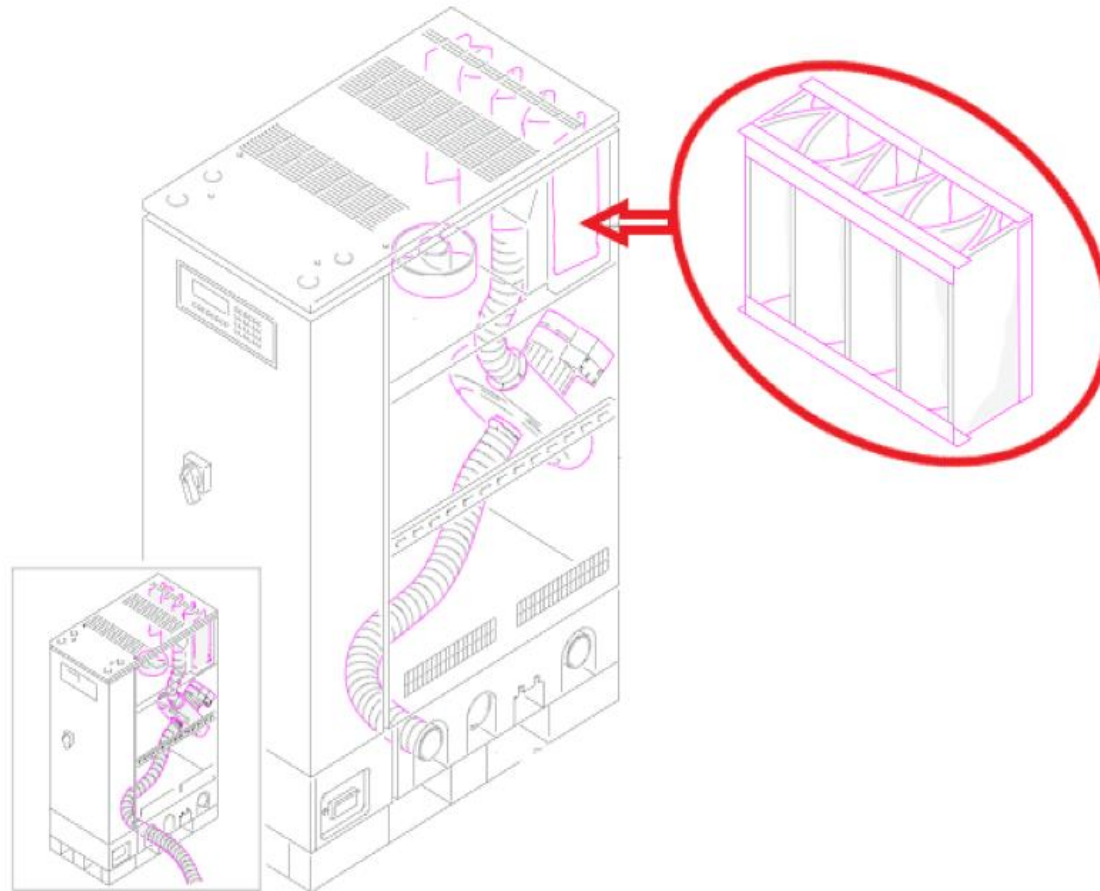


**\* Filter located under the Feed board**

# Wet Filters - 00.580.1166/



# IR Dryer Air Intake Filter - C7.170.0567/

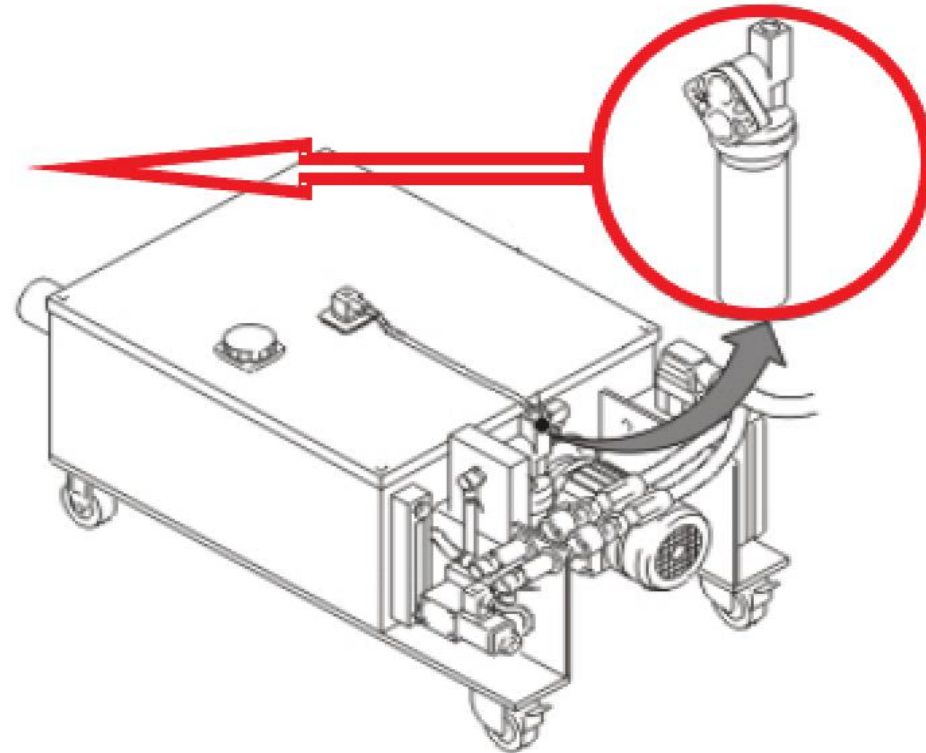


## Oil Filter - 00.581.0246/02

**\*\* CAUTION! Replace filter with press turned off and cold conditions**

**\*\* CAUTION! Oil may be hot!**

**\*\* CAUTION! If oil pump is running, pressure may cause harm and inability to remove the filter**

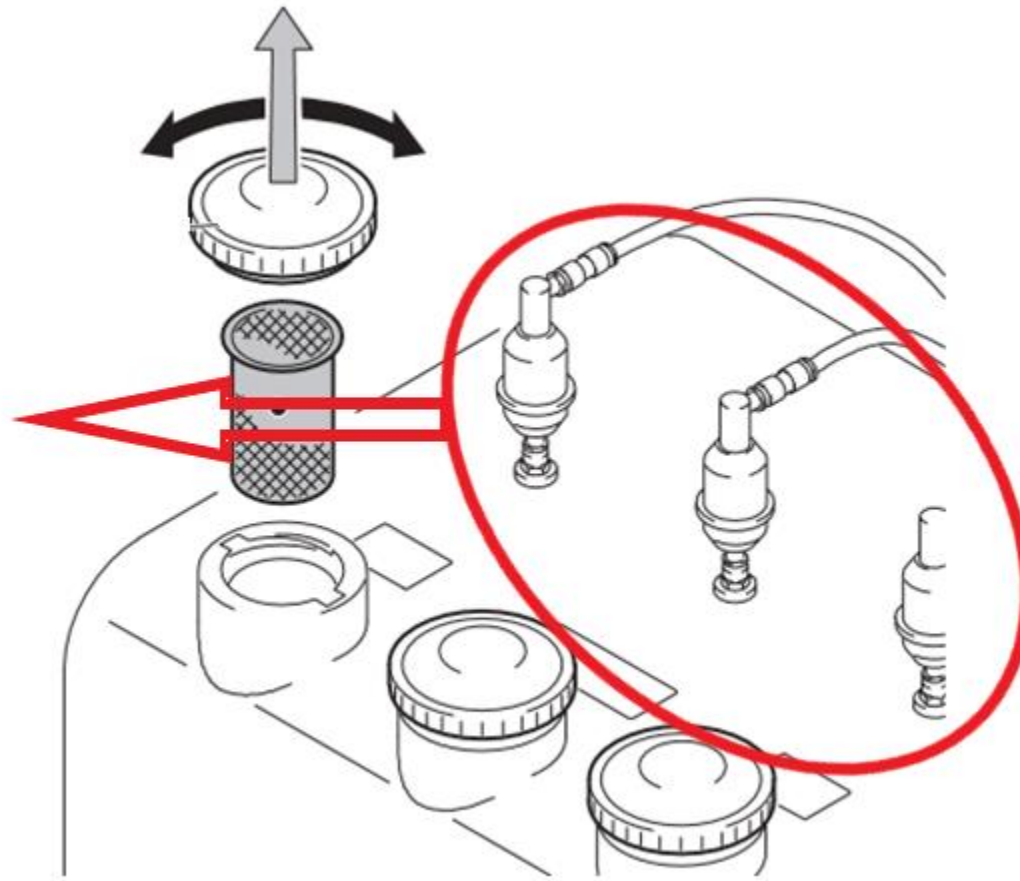


**\* Oil pump located under D.S footboard**

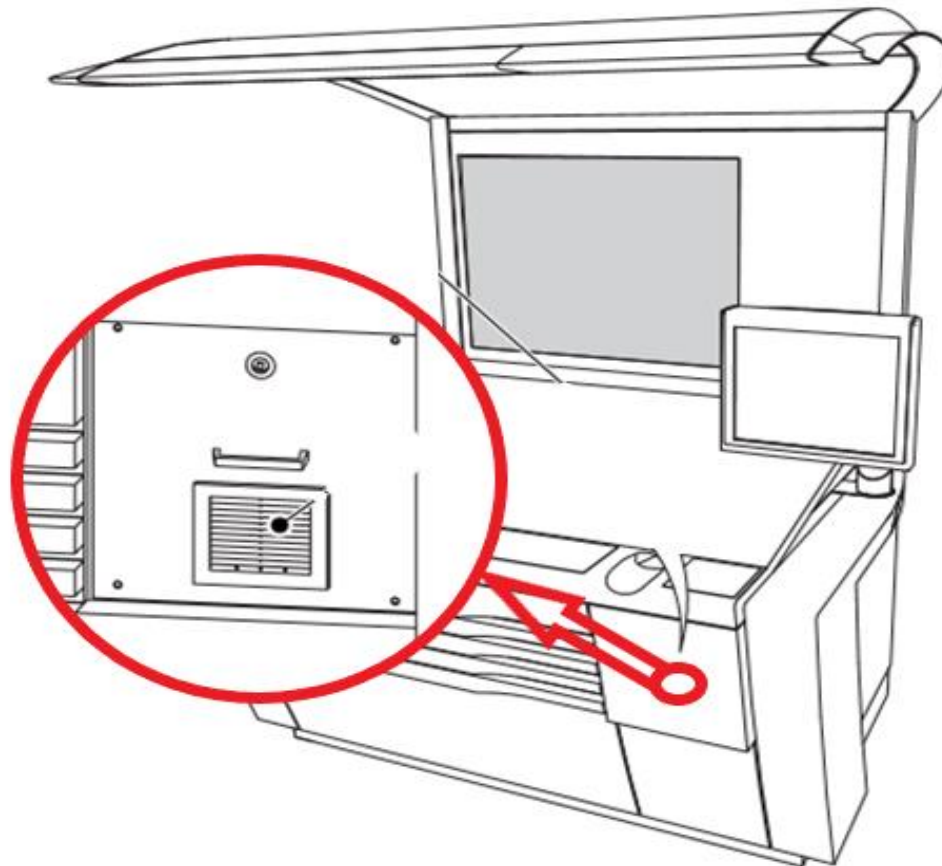


## Washup Fluid Tank Filters - 00.580.4888/01

\* Wash fluid tank located under O.S footboard



**Control Station Computer and Inpress Control Filter - CP.158.0039/**



**\* Filter for Inpress Control located on the left-hand side of the consol**

## Gripper Cleaning Brush - 66.024.024/



**\* Brush used to clean gripper pads on both Impression and Transfer cylinders**

## Saphira Spray Oil - 00.580.5681/01



- \* **Spray oil used to lubricate Impression, Transfer and Delivery gripper bars**
- \* **Spray oil used to lubricate Feeder and Delivery pile support chains and guide rails**
- \* **Spray oil used to lubricate any moving parts as per Serviceman's requirement's**

## Saphira Multi Temp Grease - 00.581.0188/



- \* Saphira multi temp grease used for lubricating all Cam followers and Gripper bars
- \* For ALL other lubricating points please refer to your Maintenance Manual

## PARTS RETURN AND FEEDBACK

Customer Name:

Press Configuration:

Serial Number:

Date:

Part Description	Part No.	Qty	Qty Used	Qty Required
Air filter Atlascop 1503 0189 00	71.102.1911/	1		
Filter cartridge	89.102.1961/	1		
Filter cartridge	00.780.3702/	1		
Filter cartridge	L8.164.1510/	1		
Filter 67 x 245	00.580.4992/01	2		
Filter cartridge 730.512	47.018.106 /	1		
Filter mit Dichtung	M2.102.2051/	1		
Filter cartridge Rie.731148 m.Druckfed	M2.102.2061/	1		
Filter C31/1	00.780.0094/	2		
Filter cartridge KLT 15	G2.102.1971/	1		

## PARTS RETURN AND FEEDBACK

Customer Name:

Press Configuration:

Serial Number:

Date:

Part Description	Part No.	Qty	Qty Used	Qty Required
Filter cell 170x140x47	M2.179.1981/01	1		
Filter FA001105	00.580.6146/	1		
Wet air filter 43.036.67.012	00.580.1166/	3		
Filtering mat	C7.170.0567/	1		
Filter cartridge WG958	00.581.0246/02	1		
Filter EIT-725-35978	00.580.4888/01	3		
Filter for Prinect and Impress Control/	CP.158.0039	1		
Saphira Lubricant HP3 0,3l Pumpdose	00.580.5681/01	1		
Saphira Lubricant Multi-temp. H1 A1 400g	00.581.0188/	1		
Steel brush	66.024.024 /	1		

**Thank you for using eShop**